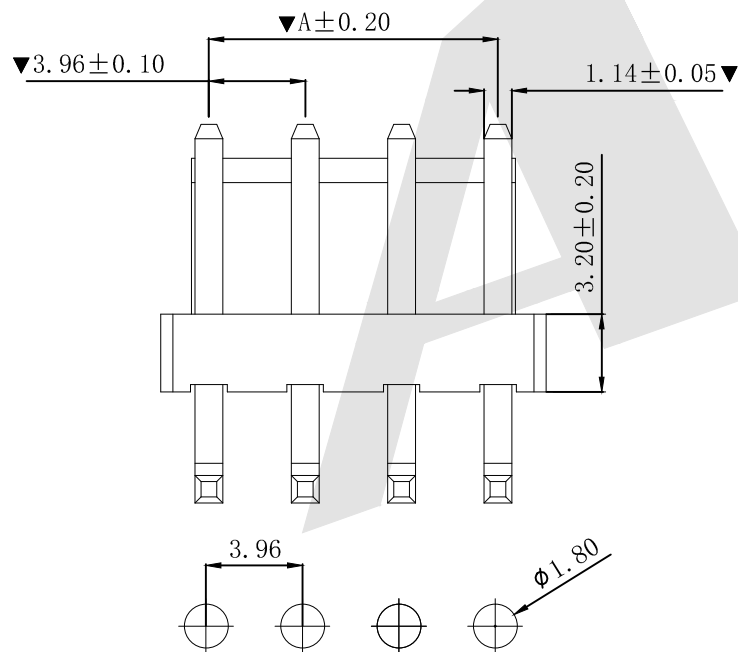
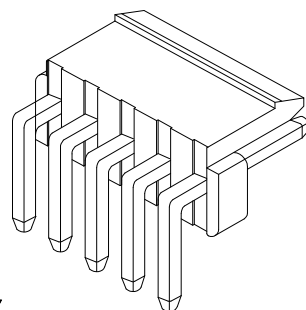
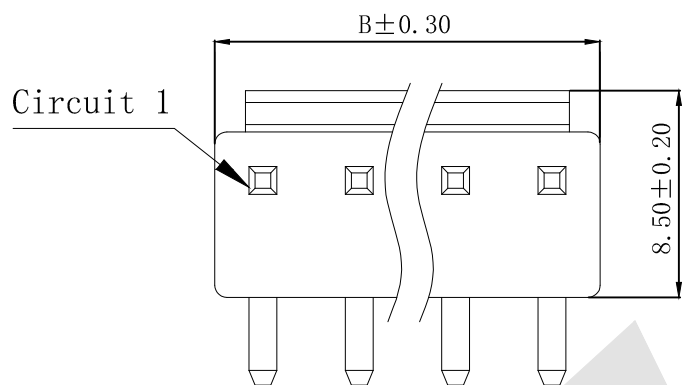
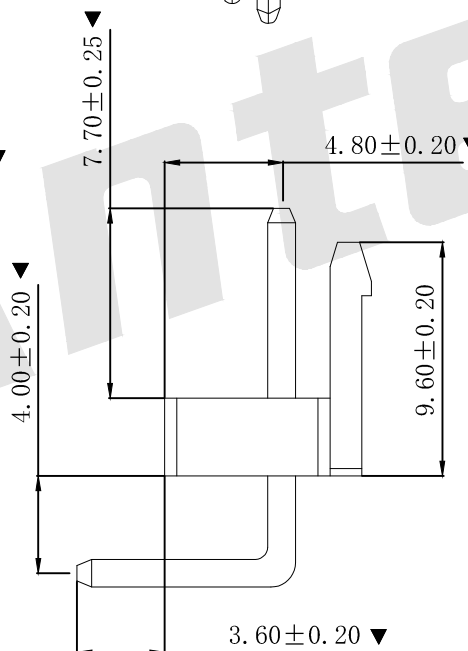


HSF



P. C. B LAYOUT



SPECIFICATIONS

- Voltage rating: 250V AC,DC
- Current rating: 7A, AC, DC
- Withstanding Voltage: 1500V AC/minute
- Insulation resistance: 1000MΩ min
- Temperature range: -25°C~+85°C
- Contact resistance: 20mΩ max

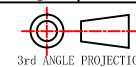
WAFER

- Part NO: AW3961R-NP
- Poles: 02-16P
- Housing Material: Nylon66 UL94V-0
- Pin Material: Brass
- Contact Area Plating: Gold-flash or Tin-plated
- The Dimension Marked “▼” Must Be Recorded

Poles	Part No.	Dimensions (mm)	
		A	B
2	AW3961R-02P	3.96	7.92
3	AW3961R-03P	7.92	11.88
4	AW3961R-04P	11.88	15.84
5	AW3961R-05P	15.84	19.80
6	AW3961R-06P	19.80	23.76
7	AW3961R-07P	23.76	27.72
8	AW3961R-08P	27.72	31.68
9	AW3961R-09P	31.68	35.64
10	AW3961R-10P	35.64	39.60
11	AW3961R-11P	39.60	43.56
12	AW3961R-12P	43.56	47.52
13	AW3961R-13P	47.52	51.48
14	AW3961R-14P	51.48	55.44
15	AW3961R-15P	55.44	59.40
16	AW3961R-16P	59.40	63.36

Unless Otherwise specified tolerance
 X. ±0.35 X.XX: ±0.20
 X.X: ±0.25 X.XXX: ±0.15

SCALE: As Shown UNIT: mm
 DRAW: Jack Bao DATE: 07/30/2017
 CHECK: Bob Yang DATE: 07/30/2017



Antenk® ANTENK ELECTRONICS CO., LTD
 Http://www.antenk.com
 E-mail:sales@antenk.com

TITLE: VH3.96mm 90° Wafer Connector Series

DRAWING NO: AW3961R-NP

PRODUCT NO: AW3961R-NP

REV	DESCRIPTION	DATE