

HSF



SPECIFICATIONS

- Poles: 2-15
- Applicable: AWG#30-#22
- Voltage rating: 250V AC, DC
- Current rating: 3A AC, DC
- Withstanding Voltage: 800V AC/minute
- Temperature range: -25°C~+85°C
- Insulation resistance: 1000MΩ min
- Contact resistance: 0.02Ω

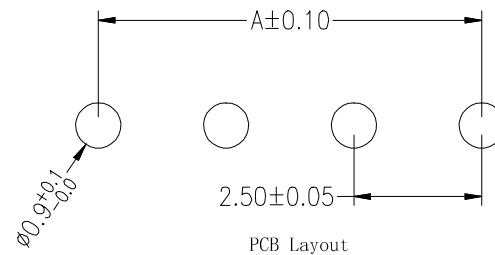
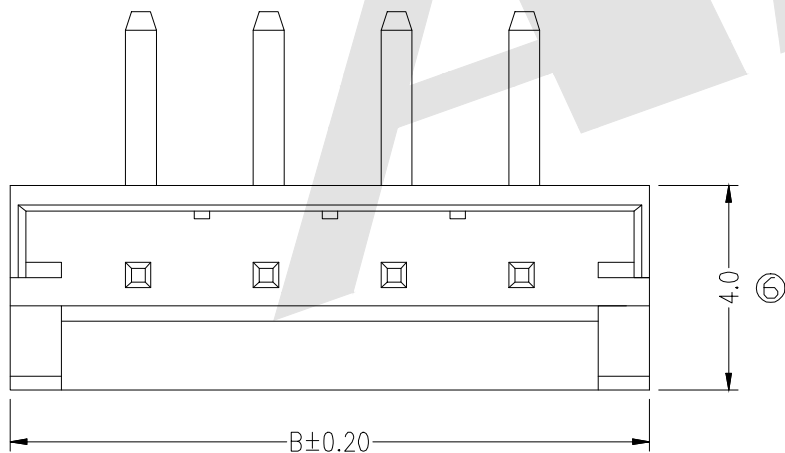
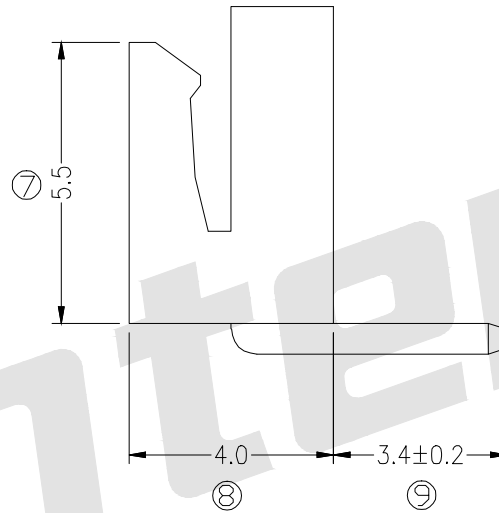
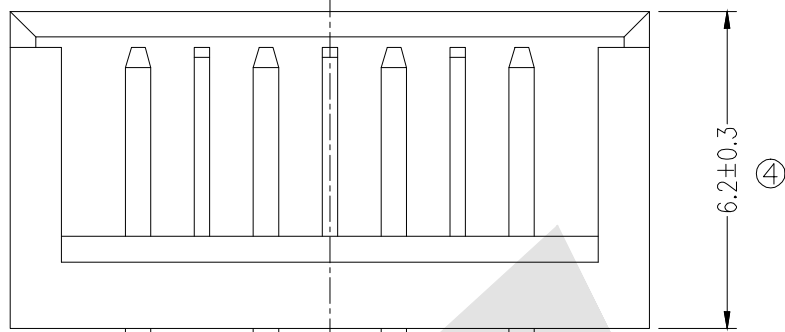
WAFER

- Part NO: AW2502R-xP
- Material: Pin: Brass/Tin over Nickel
Insulator: PA66, UL94V-0
- PACKAGE: BAG Package

Ordering Information & Dimensions

PART NO.	Dimensions	
	A	B
AW2502R-2P	2.50	7.50
AW2502R-3P	5.00	10.00
AW2502R-4P	7.50	12.50
AW2502R-5P	10.00	15.00
AW2502R-6P	12.50	17.50
AW2502R-7P	15.00	20.00
AW2502R-8P	17.50	22.50
AW2502R-9P	20.00	25.00
AW2502R-10P	22.50	27.50
AW2502R-11P	25.00	30.00
AW2502R-12P	27.50	32.50
AW2502R-13P	30.00	35.00
AW2502R-14P	32.50	37.50
AW2502R-15P	35.00	40.00

Unit: mm



Unless otherwise specified tolerance
 X. ±0.35 X.XX: ±0.20
 X.X: ±0.25 X.XXX: ±0.15

Antenk® ANTENK ELECTRONICS CO., LTD
[Http://www.antenk.com](http://www.antenk.com)
 E-mail:sales@antenk.com

SCALE: As Shown UNIT: mm
 DRAW Lv Xun Hua DATE 22/04/2019
 CHECK Bob Yang DATE 22/04/2019

TITLE: 2.5mm pitch 90° Wafer Connector Series



DRAWING NO: AW2502R-xP

PRODUCT NO: AW2502R-xP

REV	DESCRIPTION	DATE