

HSF

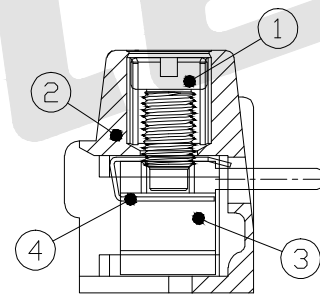
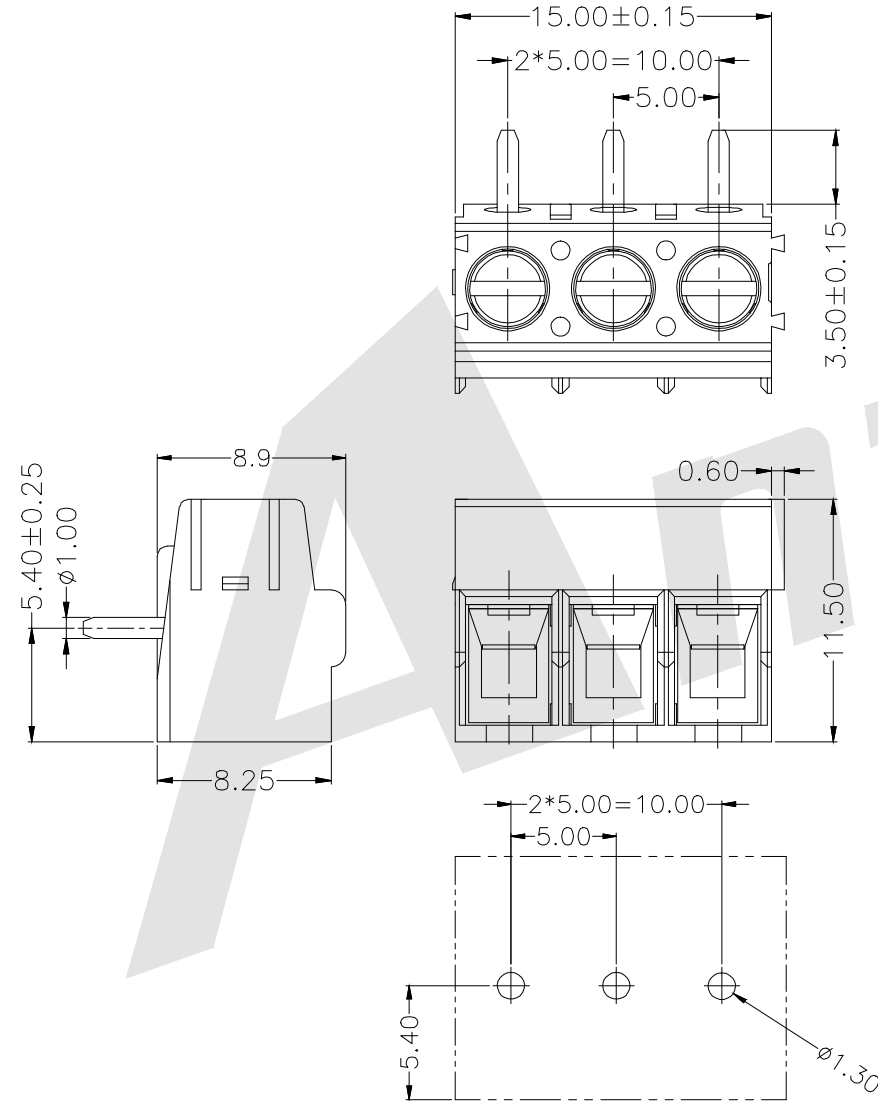


RoHS

Autodesk

SPECIFICATION

Voltage Rating (额定电压): 300V
 Current Rating (额定电流): 10A
 Contact Resistance (接触电阻): 20mΩ
 Insulation Resistance (绝缘电阻): 500MΩ / 1000V
 Withstanding Voltage (耐电压): 2000VAC (1min)
 Wire range (使用线径): 14-26AWG 2.5mm²
 Housing (塑件): PA66, UL94V-0
 Terminal (端子): Brass, Tin Plated
 Screw (螺丝): M2.5 Steel Zinc Plated
 Torque (扭力): 0.4N.m (3.54Lb. in)
 Operating Temperature: -40° C to +105° C
 Test Temperature 250° C ± 10° C / 5 Seconds Max



AT250R - 5.00 - XX - X - EG

Pitch: 5.0: 5.0mm
 Poles: 02: 2 Contacts, 03: 3 Contacts,, 24: 24 Contacts
 Series number
 Insulator color: A:Green, B:Blue, C:Black, G:Gray, O:Orange

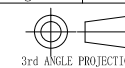
Unless Otherwise specified tolerance
 X. ±0.35 X.XX: ±0.20
 X.X: ±0.25 X.XXX: ±0.15

Antenk ANTENK ELECTRONICS CO., LTD
[Http://www.antenk.com](http://www.antenk.com)
 E-mail: sales@antenk.com

SCALE: As Shown UNIT: mm
 DRAW Wu Feng Rong DATE 26/02/2020
 CHECK BobYang DATE 22/03/2018

TITLE: PCB Screw Terminal Block
 Right-Angle Pitch: 5.0

DRAWING NO: AT250R-5.0XXX-EG
 PRODUCT NO: AT250R-5.0XXX-EG



REV	DESCRIPTION	DATE

Autodesk