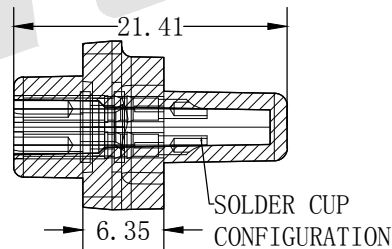
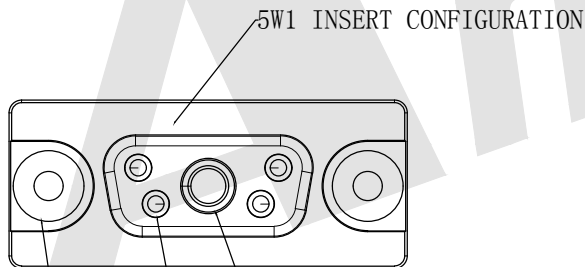
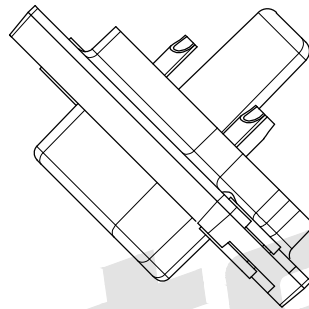
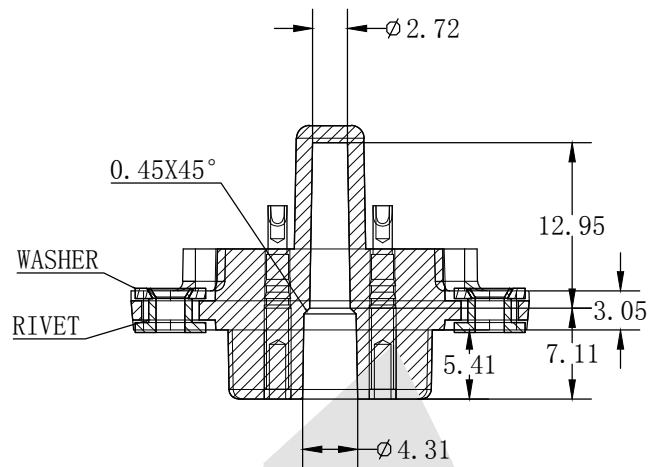


HSF  R6HS



CAVITY DESIGNED TO MATE WITH GUIDE PIN IN MATING CONNECTOR

2X FLOATING MOUNTS

4X PIN CONTACTS (SIZE #20) WITH PC TAIL CONFIGURATION

SPECIFICATIONS:

ELECTRICAL:

INSULATOR RESISTANCE: 5,000 MegOHMS Min.
 DIELECTRIC WITHSTANDING: 1,000 VAC r. m. s.
 OPERATING TEMPERATURE: -55°C ~ +125°C
 CONTACT RESISTANCE: 30 MILLIOHMS Max.
 POWER PINS: SEE PART No. BELOW

MECHANICAL:

CONTACT INSERTION FORCE: 4.5kg Max
 CONTACT SEPARATOR FORCE: 0.3kg Min

MATERIALS:

CONTACTS: BRASS
 SHELL MATERIAL: PEEK WITH 15% GLASS

Ordering Code:

PDB5W1 - F - G0 - B - A
 ① ② ③ ④ ⑤

- ① Series
- ② Contact Type:
M:Male F:Female
- ③ Contact NO. :
G0: Gold flash G1: 3u" Gold
G2: 5u" Gold G3: 10u" Gold
G4: 15u" Gold G5: 30u" Gold
- ④ Insulation Color Code:
B:Black L:Blue W:White
- ⑤ Series Number:A

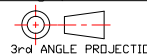
Unless Otherwise specified tolerance	
ANGLES±1°	X.X:±0.1
X.XX:±0.01	X.XXX:±0.003
X.XXX:±0.0005	SURFACES:±6.3
SCALE:	UNIT:
As Shown	mm
DRAW	DATE
Wu Feng Rong	17/09/2019
CHECK	DATE
BobYang	16/09/2019

 ANTENK ELECTRONICS CO.,LTD
 Http://www.antenk.com
 E-mail:sales@antenk.com

TITLE:
 POWER D-SUB 5W1 FEMALE SOLDER CUP-MALE

DRAWING NO: PDB5W1-FXXX

PRODUCT NO: PDB5W1-FXXX



REV	DESCRIPTION	DATE