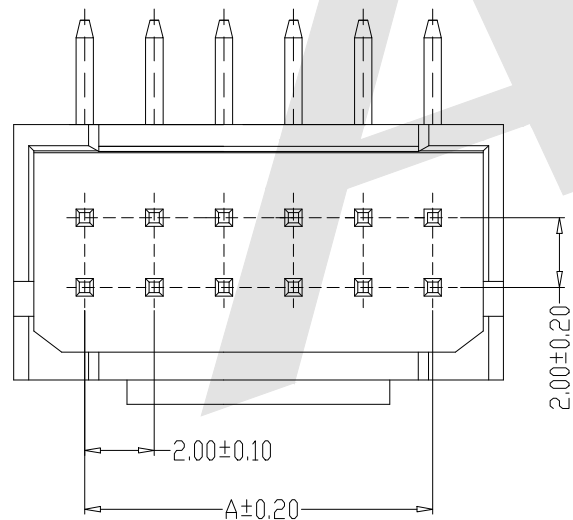
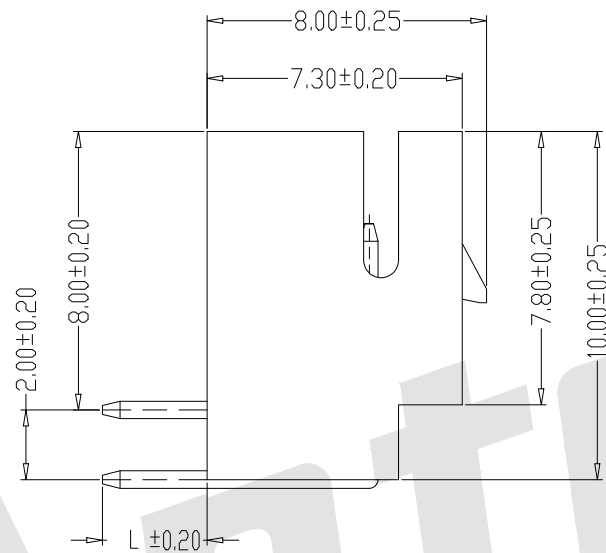
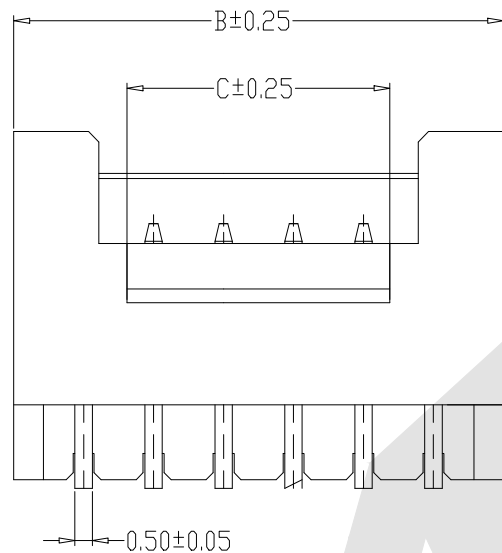


HSF



SPECIFICATIONS

- 1.Current Rating: 3A AC, DC
 - 2.Voltage Rating: 250V AC,DC
 - 3.Temperature Range: -25°C~+85°C
 - 4.Contact Resistance: 20mΩ Max
 - 5.Insulation Resistance: 1000MΩ Min
 - 6.Withstanding Voltage: 800V AC/minute
 - 7.Material :
- Housing: Nylon66, UL94V-0
PIN: Brass, Tin-plated

AW2008R-2xXXP-X

① ② ③

- ① Series No.
- ② Pin No.
- ③ DIP Length L
A: L=2.5mm
B: L=3.0mm

Part No.	Dimensions(mm)		
	A	B	C
AW2008R-2x02P	2.00	6.00	3.00
AW2008R-2x03P	4.00	8.00	3.00
AW2008R-2x04P	6.00	10.00	3.00
AW2008R-2x05P	8.00	12.00	5.00
AW2008R-2x06P	10.00	14.00	7.00
AW2008R-2x07P	12.00	16.00	9.00
AW2008R-2x08P	14.00	18.00	11.00
AW2008R-2x09P	16.00	20.00	13.00
AW2008R-2x10P	18.00	22.00	15.00
AW2008R-2x11P	20.00	24.00	17.00
AW2008R-2x12P	22.00	26.00	19.00
AW2008R-2x13P	24.00	28.00	21.00
AW2008R-2x14P	26.00	30.00	23.00
AW2008R-2x18P	34.00	38.00	31.00
AW2008R-2x22P	42.00	46.00	39.00

Unless Otherwise specified tolerance
X.±0.35 X.XX:±0.20
X.X:±0.25 X.XXX:±0.15

SCALE: As Shown UNIT: mm
DRAW ZLA DATE 06/05/2023
CHECK Bob Yang DATE 06/05/2023

VER./版本号
3rd ANGLE PROJECTION

Antenk ANTENK ELECTRONICS CO.,LTD
Http://www.antenk.com
E-mail:sales@antenk.com

TITLE:
2.00mm pitch 90° Dual Row Wafer Connector Series

DRAWING NO: AW2008R-2xNP-X

PRODUCT NO: AW2008R-2xNP-X

MK/标记

DESCRIPTION/修订内容

DATE/日期(M/D/Y)