

HSF



ROHS

SPECIFICATIONS

- Voltage rating: 250V AC,DC
- Current rating: 3A AC,DC
- Withstanding Voltage: 1000V AC/minute
- Insulation resistance:1000MΩ min
- Temperature range: -40°C~+105°C

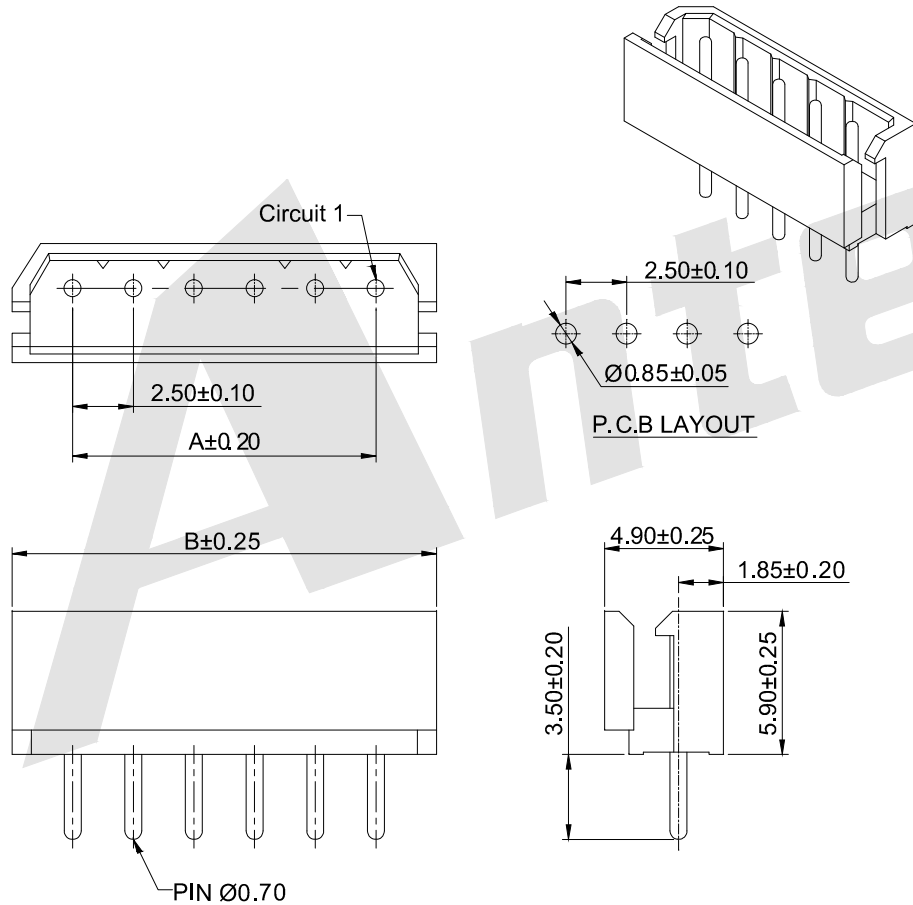
WAFER

- Part NO: AW2505V-xP
- Material: Pin: Brass/Tin over Nickel
Insulator: Nylon 66, UL94V-0
- Mates with: AH2505 series Housing
- Color: Beige

Ordering Information & Dimensions

PART NO.	Dimensions	
	AB	
AW2505V-2P	2.50	7.50
AW2505V-3P	5.00	10.00
AW2505V-4P	7.50	12.50
AW2505V-5P	10.00	15.00
AW2505V-6P	12.50	17.50
AW2505V-7P	15.00	20.00
AW2505V-8P	17.50	22.50
AW2505V-9P	20.00	25.00
AW2505V-10P	22.50	27.50
AW2505V-11P	25.00	30.00
AW2505V-12P	27.50	32.50
AW2505V-13P	30.00	35.00
AW2505V-14P	32.50	37.50
AW2505V-15P	35.00	40.00
AW2505V-16P	37.50	42.50
AW2505V-17P	40.00	45.00
AW2505V-18P	42.50	47.50
AW2505V-19P	45.00	50.00
AW2505V-20P	47.50	52.50

Unit: m



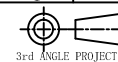
Unless Otherwise specified tolerance
 X. ±0.35 X.XX: ±0.20
 X.X: ±0.25 X.XXX: ±0.15



ANTENK ELECTRONICS CO.,LTD
[Http://www.antenk.com](http://www.antenk.com)
 E-mail:sales@antenk.com

SCALE: As Shown	UNIT: mm
DRAW Jack Bao	DATE 5/2/2018
CHECK Bob Yang	DATE 5/2/2018

TITLE: 2.50mm pitch 180° Wafer Connector Series



DRAWING NO: AW2505V-xP

PRODUCT NO: AW2505V-xP

REV	DESCRIPTION	DATE