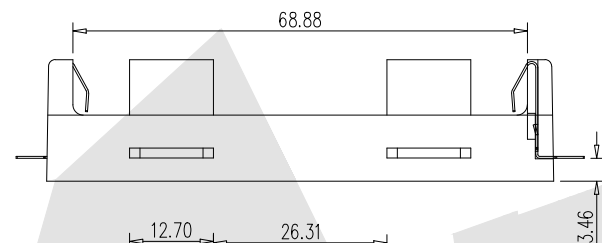
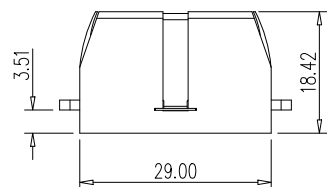
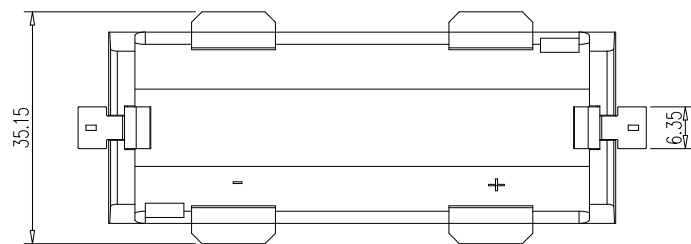


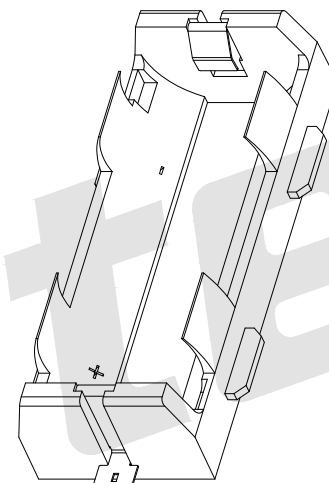
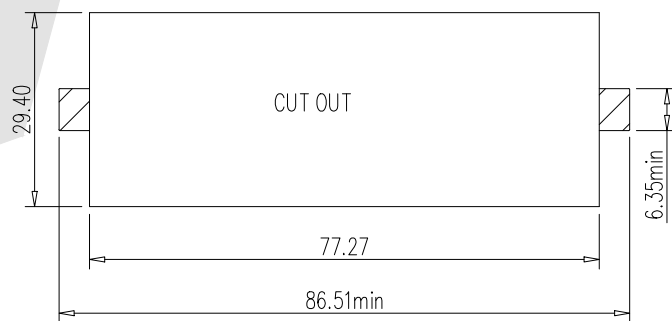
HSF



ROHS



MTG. LAYOUT



NOTE 说明:

1. BASE 胶芯:

MAT'L 材质: PA46+15%GF, BLACK

2. CONTACT:

MAT'L: 0.3MM THK STAINLESS STEEL

BBC - M - G0 - A - 106

① ② ③ ④ ⑤

① BBC: Battery Holder 电池盒

② Apperance for the product 连接形式

M: SMT

③ Contact Plating 端子电镀

SI: Tin NICKEL Plated 锡镍合金

SN: Tin 锡

GO: Gold flash 普金

G1: 3U" Gold 金

④ Packing method 包装方式

A: Tray packing 吸塑盒装

B: BAG 袋装

⑤ Product number 产品编号

106

G2: 5U" Gold 金

G3: 10U" Gold 金

G4: 15U" Gold 金

G5: 30U" Gold 金

Unless Otherwise specified tolerance
X.±0.35 X.XX:±0.20
X.X:±0.25 X.XXX:±0.15

SCALE: As Shown UNIT: mm

DRAW ZLA DATE 05/17/2023

CHECK BobYang DATE 05/17/2023

VER./版本号



Antenk® ANTENK ELECTRONICS CO.,LTD
Http://www.antenk.com
E-mail:sales@antenk.com

TITLE: Single Battery Holder For 26650 SMT

DRAWING NO: BBC-M-G0-A-106

PRODUCT NO: BBC-M-G0-A-106

MK/标记

DESCRIPTION/修订内容

DATE/日期(M/D/Y)

1 2 3 4 5 6 7 8