

HSF



ROHS

SPECIFICATIONS

- Voltage rating: 250V AC/DC
- Current rating: 3A AC,DC
- Withstanding Voltage: 1000V AC/minute
- Insulation resistance: 1000MΩ min
- Temperature range: -40°C~+105°C

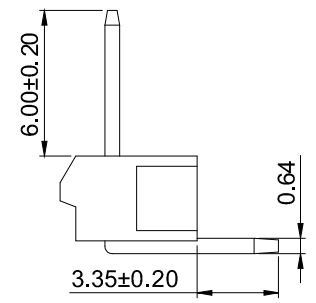
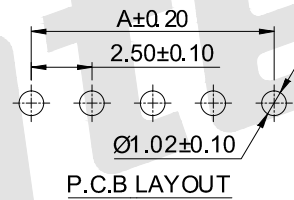
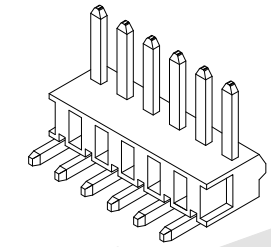
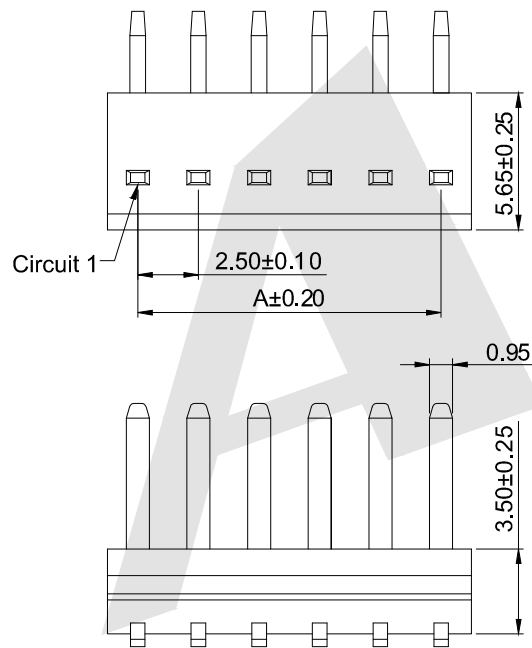
WAFER

- Part NO: AW2504RA-xP
- Material: Pin: Brass/Tin over Nickel
Insulator: Nylon 66, UL94V-0
- Mates with: AH2504 series Housing
- Color: White

Ordering Information & Dimensions

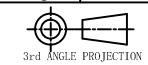
PART NO.	Dimensions
	A
AW2504RA-2P	2.50
AW2504RA-3P	5.00
AW2504RA-4P	7.50
AW2504RA-5P	10.00
AW2504RA-6P	12.50
AW2504RA-7P	15.00
AW2504RA-8P	17.50
AW2504RA-9P	20.00
AW2504RA-10P	22.50
AW2504RA-11P	25.00
AW2504RA-12P	27.50
AW2504RA-13P	30.00
AW2504RA-14P	32.50
AW2504RA-15P	35.00
AW2504RA-16P	37.50
AW2504RA-17P	40.00
AW2504RA-18P	42.50
AW2504RA-19P	45.00
AW2504RA-20P	47.50
AW2504RA-21P	50.00
AW2504RA-22P	52.50
AW2504RA-23P	55.00
AW2504RA-24P	57.50
AW2504RA-25P	60.00

Unit: mm



Unless Otherwise specified tolerance
 X. ±0.35 X.XX: ±0.20
 X.X: ±0.25 X.XXX: ±0.15

SCALE: As Shown UNIT: mm
 DRAW Jack Bao DATE 5/2/2018
 CHECK Bob Yang DATE 5/2/2018



ANTENK ELECTRONICS CO.,LTD
[Http://www.antenk.com](http://www.antenk.com)
 E-mail:sales@antenk.com

TITLE: 2.50mm pitch 180° Wafer Connector Series

DRAWING NO: AW2504RA-xP
 PRODUCT NO: AW2504RA-xP

REV	DESCRIPTION	DATE
1		