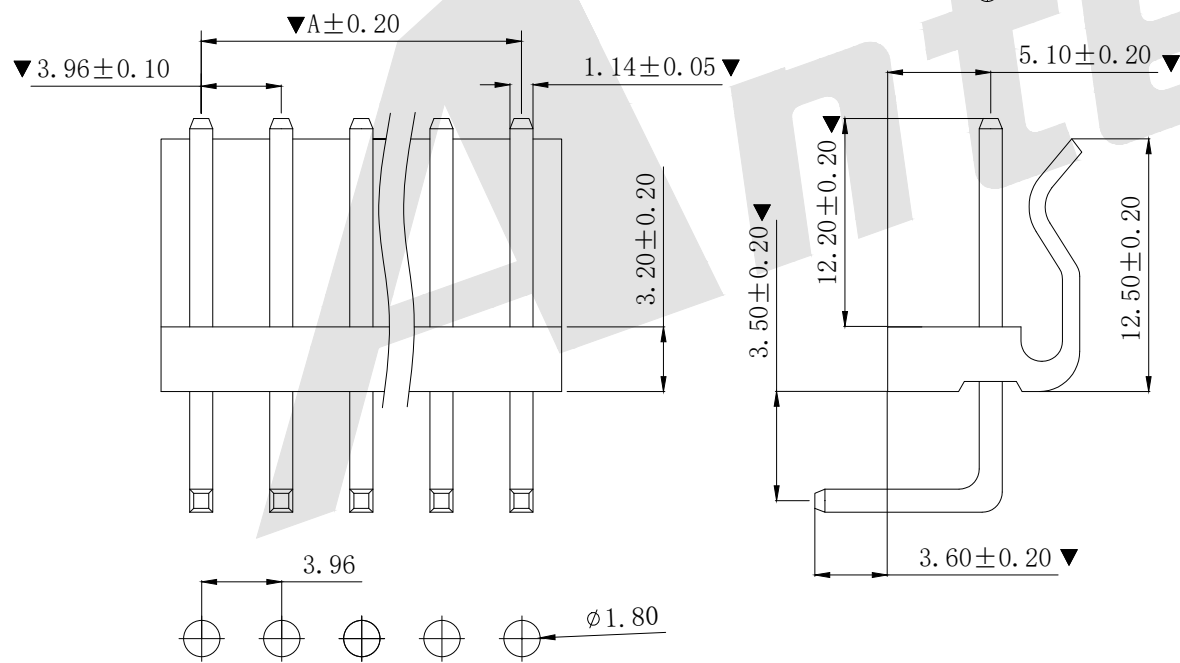
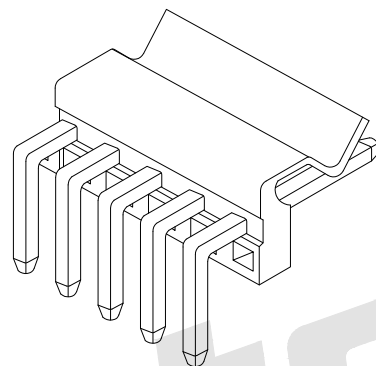
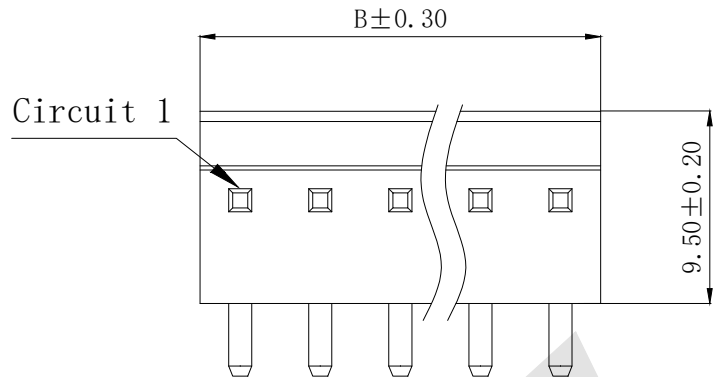


HSF



P. C. B LAYOUT

SPECIFICATIONS

- Voltage rating: 250V AC,DC
- Current rating: 7A, AC, DC
- Withstanding Voltage: 1500V AC/minute
- Insulation resistance: 1000MΩ min
- Temperature range: -25°C~+85°C
- Contact resistance: 20mΩ max

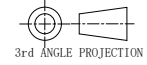
WAFER

- Part NO: AW3962R-NP
- Poles: 02-20P
- Housing Material: Nylon66 UL94V-2
- Pin Material: Brass
- Contact Area Plating: Tin-plated
- The Dimension Marked “▼” Must Be Recorded

Poles	Part No.	Dimensions (mm)	
		A	B
2	AW3962R-02P	3.96	7.92
3	AW3962R-03P	7.92	11.88
4	AW3962R-04P	11.88	15.84
5	AW3962R-05P	15.84	19.80
6	AW3962R-06P	19.80	23.76
7	AW3962R-07P	23.76	27.72
8	AW3962R-08P	27.72	31.68
9	AW3962R-09P	31.68	35.64
10	AW3962R-10P	35.64	39.60
11	AW3962R-11P	39.60	43.56
12	AW3962R-12P	43.56	47.52
13	AW3962R-13P	47.52	51.48
14	AW3962R-14P	51.48	55.44
15	AW3962R-15P	55.44	59.40
16	AW3962R-16P	59.40	63.36
17	AW3962R-17P	63.36	67.32
18	AW3962R-18P	67.32	71.28
19	AW3962R-19P	71.28	75.24
20	AW3962R-20P	75.24	79.20

Unless Otherwise specified tolerance
 X. ± 0.35 X.XX: ± 0.20
 X.X: ± 0.25 X.XXX: ± 0.15

SCALE: As Shown UNIT: mm
 DRAW: Jack Bao DATE: 07/30/2017
 CHECK: Bob Yang DATE: 07/30/2017



Antenk® ANTENK ELECTRONICS CO.,LTD
[Http://www.antenk.com](http://www.antenk.com)
 E-mail:sales@antenk.com

TITLE:MX3.96mm 90° Wafer Connector Series

DRAWING NO: AW3962R-NP
 PRODUCT NO: AW3962R-NP

REV	DESCRIPTION	DATE