

SPECIFICATIONS

Pitch: 3.96
 Poles: 2~10
 Voltage rating: 250V AC, DC,
 Current rating: 7.0A, AC, DC
 Withstand voltage: 1500V AC/minute
 Working Temperature: -25 C~+105 C
 Insulation resistance: ≥1000 MΩ
 Contact resistance: ≤ < 0.02 Ω

MATERIAL:

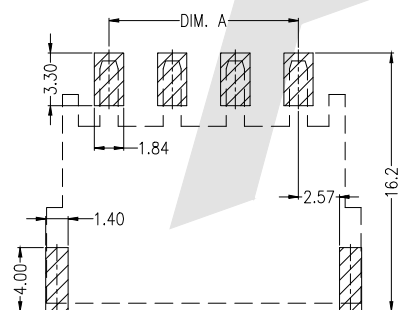
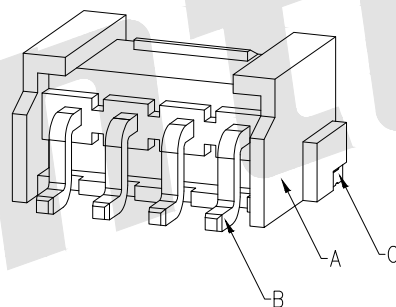
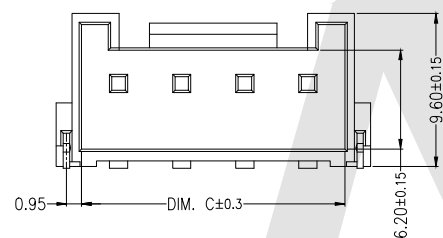
A:Housing:PA9T UL94V-0 Color:Beige 1PCS
 B>Contact:Brass Tin Plated 2--10PCS
 C:Solder TAB: Brass Tin Plated 2PCS

Ordering Code:

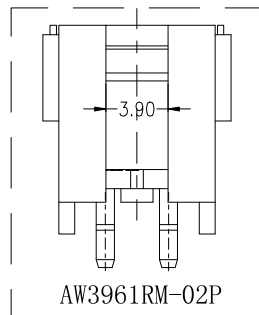
AW3961RM-NP

Part NO.

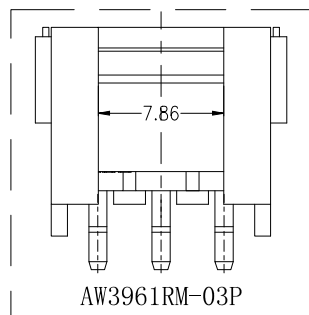
NO. OF Circuits:02-10



PCB LAYOUT



AW3961RM-02P



AW3961RM-03P

Circuits	Dimensions(mm)		
	DIM. A	DIM. B	DIM. C
02	3.96	11.88	8.60
03	7.92	15.84	12.56
04	11.88	19.80	16.52
05	15.84	23.76	20.48
06	19.80	27.72	24.44
07	23.76	31.68	28.40
08	27.72	35.64	32.36
09	31.68	39.60	36.32
10	35.64	43.56	40.28

Unless Otherwise specified tolerance
 X. ±0.35 X.XX:±0.20
 X.X:±0.25 X.XXX:±0.15

SCALE: As Shown UNIT: mm
 DRAW: Wu Feng Rong DATE: 12/23/2020
 CHECK: Bob Yang DATE: 12/23/2020



Antenk® ANTENK ELECTRONICS CO., LTD
[Http://www.antenk.com](http://www.antenk.com)
 E-mail:sales@antenk.com

TITLE:
 VH3.96mm 90° SMT Wafer Connector Series

DRAWING NO: AW3961RM-NP
 PRODUCT NO: AW3961RM-NP

REV	DESCRIPTION	DATE