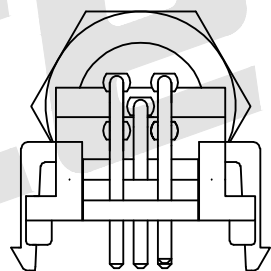
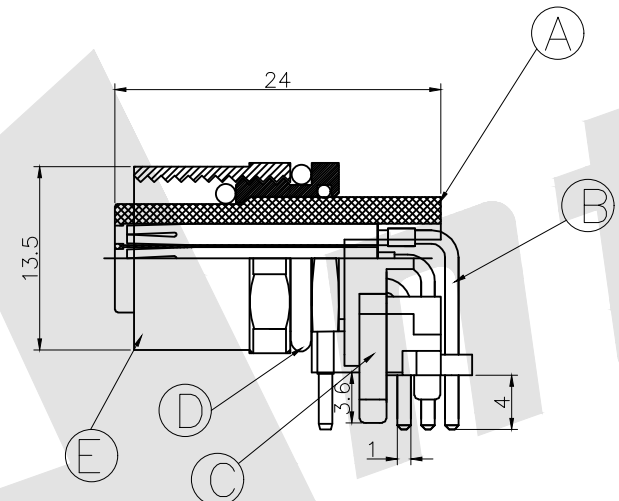
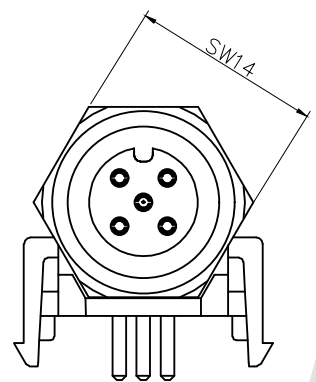
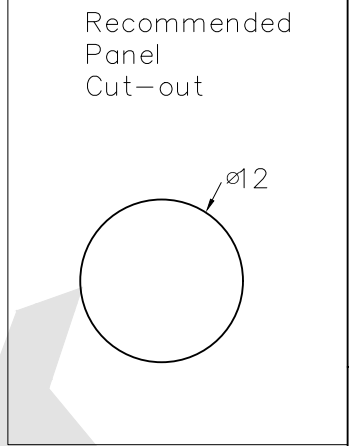
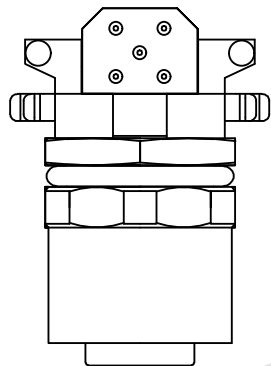
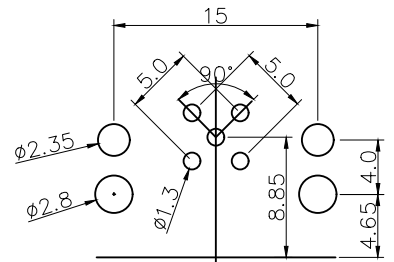


PCB Layout Reference



Order Code:

M1202 - A - 5P - F - 007
 ① ② ③ ④ ⑤

- ① Type of M series : M1202
- ② Code Option : A
- ③ NO. of PINS : 5
- ④ Gender option : Female
- ⑤ Series number : 007

Engagement force	≤30N	Rated voltage	60v DC
Isengagement force	≥5N	Rated current	4A
echanical lifespan	≥500	Insulation resistance	≥1000 MΩ
IP rating	IP67/IP68	Contance resistance	≤10mΩ
Flammability	UL94 v-0	Operation Temperature	-40 T0+105℃

E	Over Mold	1	NICKL PLATED BRASS
D	O RING	1	SILIGONE RED
C	CONTACT	1	NICKL PLATED BRASS
B	Female PIN	/	PHOSPHOR BRONZE GOLD PLATING OVER NICKEL PLATING
A	BODY	1	PA66+GF BLACK
Item	PART NAME	QTY	MATERIAL /FINISH

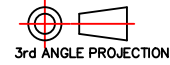
Unless Otherwise specified tolerance
 X.±0.35 X.XX: ±0.20
 X.X: ±0.25 X.XXX: ±0.15

SCALE: As Shown UNIT: mm
 DRAW ZLA DATE 24/05/2022
 CHECK BobYang DATE 24/05/2022

Antenk® ANTENK ELECTRONICS CO.,LTD
 Http://www.antenk.com
 E-mail:sales@antenk.com

TITLE: M12 5P Female Waterproof Board Side A Code DIP 90°

DRAWING NO: M1202-A-5P-F-007
 PRODUCT NO: M1202-A-5P-F-007



REV	DESCRIPTION	DATE
1	2	3
4	5	6
7	8	