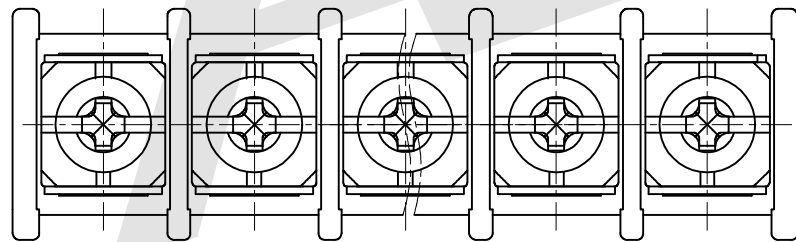
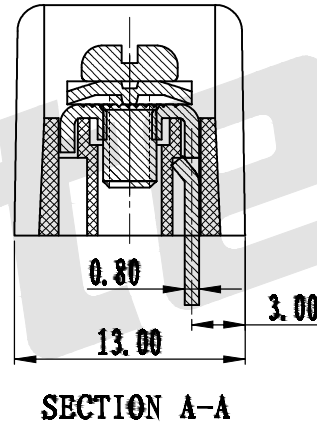
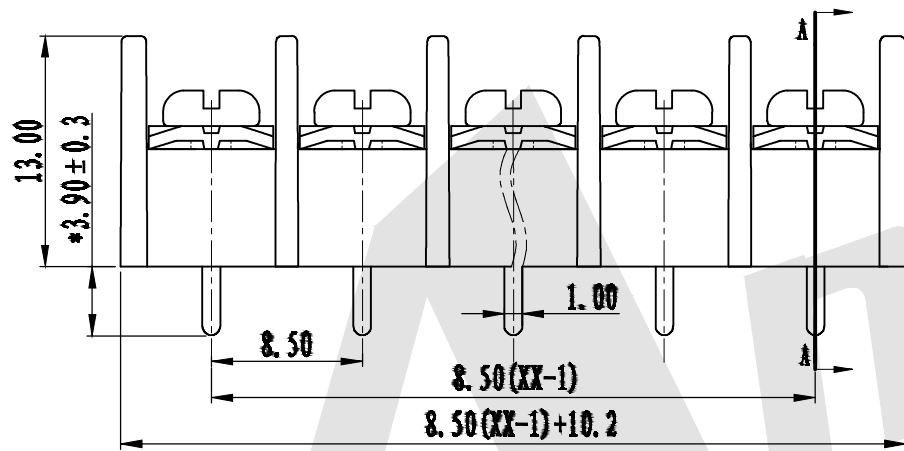


HSF



ROHS



SPECIFICATION

Standard(参考标准): UL IEC
 Voltage Rating(额定电压): 300V 450V
 Current Rating(额定电流): 15A 24A
 Wire range(使用线径): 22-14AWG 2.5mm²
 Withstanding voltage(耐电压): AC2000V/1Min
 Insulation resistance(绝缘电阻): 500MΩ/DC500V
 Temp Rang(温度范围): -40° C ~ +105° C
 Max Torque(最大锁紧力矩): 0.5Nm(4.5lb. in)
 Housing(塑件): PA66, UL94V-0
 Screw(螺丝): Steel, M3.0 Ni-Plated
 Terminal(端子): Brass. 0.8t, Tin Plated
 Pitch(间距): 8.5mm
 Poles(极数): 2P-24P

Ordering Code:

AT831 - 8.5 - XX - X - 01

Pitch:
8.5:8.5mm

Poles:
02: 2 Contacts
03: 3 Contacts
... ..
22: 22 Contacts

Insulator color:
A:Green B:Blue
C:Black G:Gray
O:Orange T:Transparent
R:Red Y:Yellow
W:White

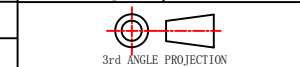
01:Series number.

Unless Otherwise specified tolerance
 X. ±0.35 X.XX: ±0.20
 X.X: ±0.25 X.XXX: ±0.15

Antenk® ANTENK ELECTRONICS CO., LTD
 Http://www.antenk.com
 E-mail:sales@antenk.com

SCALE: As Shown	UNIT: mm
DRAW Wu Sai	DATE 22/03/2018
CHECK BobYang	DATE 22/03/2018

TITLE:
Barrier Terminal Block Pitch:8.5mm



DRAWING NO: AT831-8.5XXX-01
 PRODUCT NO: AT831-8.5XXX-01

REV	DESCRIPTION	DATE
1		
2		
3		
4		
5		