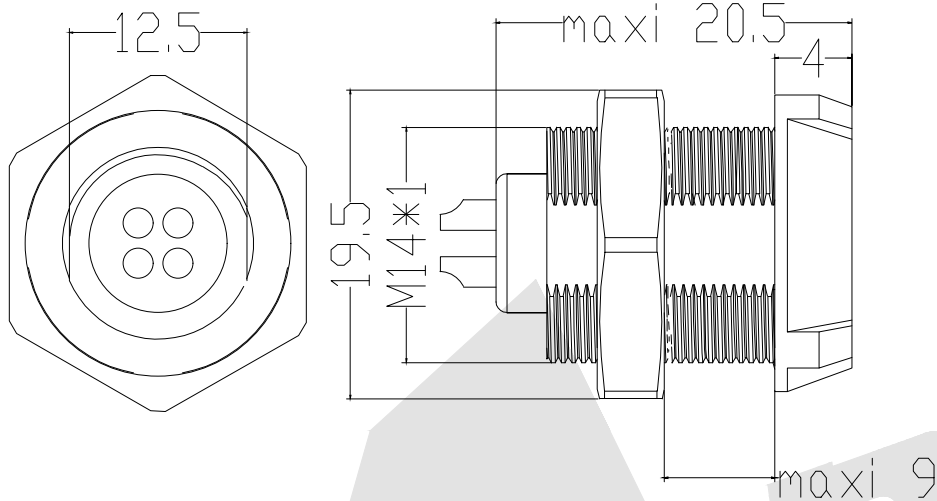


HSF



Specifications:  
 Material:  
 Housing: PPS  
 Environment: Outdoor  
 Shock: 100g, 6ms  
 Withstand Voltage: 500V AC, 60S  
 Humidity: 60°C, 95% Max  
 Protection Index: IP50  
 Rated Temperature: -55°C~+250°C  
 Durability: 5000 Cycles  
 Vibration: 10-2000Hz, 15g  
 Salt Spray Test >144H  
 Shielding: >75dB at 10MHz, >40dB at 1GHz

M14SL - XP - F - PKG  
 ① - ② - ③ - ④

- ① Serial No.  
M14SL: M14 Self-Lock Series
- ② Pin No.  
2~14P
- ③ Gender Type  
F: Female
- ④ Series No.  
PKG

Pin Number	02	03	04	05	06	07	08	09	10	14	
Pin Size(MM)	1.3	1.3	0.9	0.9	0.7	0.7	0.7	0.5	0.5	0.5	
Conductor Size	20AWG	20AWG	22AWG	22AWG	22AWG	22AWG	22AWG	28AWG	28AWG	28AWG	
(KV rms)/Work	PIN - PIN	1.20	1.15	1.20	1.05	1.05	1.05	1.05	0.85	0.85	0.60
	PIN - SHELL	1.30	1.25	1.20	0.85	0.85	0.85	0.60	0.60	0.45	0.50
Rate Current(A)	10.0	11.0	8.0	7.0	6.0	5.0	5.0	3.0	3.0	2.0	

Unless Otherwise specified tolerance  
 X.±0.35 X.XX:±0.20  
 X.X:±0.25 X.XXX:±0.15

SCALE: As Shown UNIT: mm  
 DRAW ZLA DATE 10/09/2022  
 CHECK BobYang DATE 10/09/2022

VER. 3rd ANGLE PROJECTION

**Antenk**® ANTENK ELECTRONICS CO., LTD  
 Http://www.antenk.com  
 E-mail:sales@antenk.com

TITLE:  
M14 Self-Lock Female Connector With Nut Fixed

DRAWING NO: M14SL-XP-F-PKG

PRODUCT NO: M14SL-XP-F-PKG

REV	DESCRIPTION	DATE