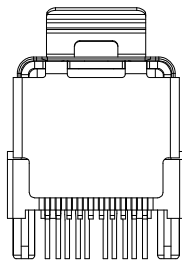
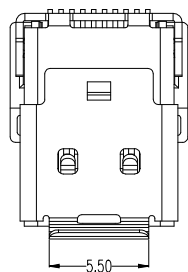


HSF

RoHS



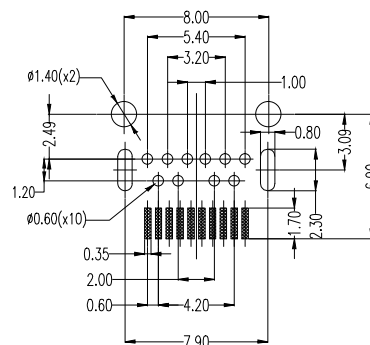
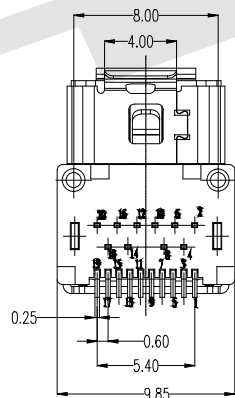
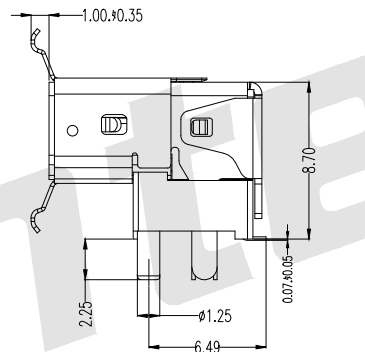
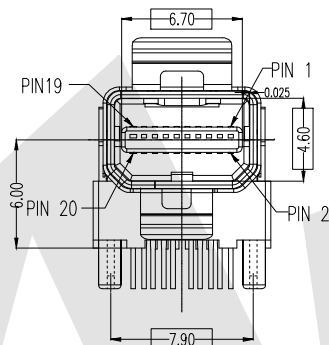
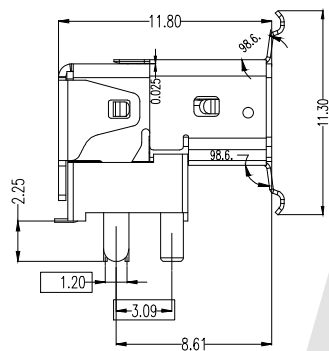
NOTES:

1. MATERIL
- 1.1 HOUSING:HI-TEMP PLASTIC (UL94-V-0),BLACK
- 1.2 CONTACT:COPPER ALLOY(T=0.20),
PLATING:GOLD PLATED ON CONTACT AREA,
TIN PLATED ON SOLDER TAILS,UNDER
NICKEL PLATED.
- 1.3 SHELL:BRASS(T=0.40),PLATING:NICKEL PLATED,
- 1.4 SPRING SHELL: STAINLESS SUS304 T=0.20mm
- 1.5 COVER: HI-TEMP,PLASTIC(UL94V-0)BLACK,
2. SPECIFICATION:
- 2.1 CURRENT RATING: 0.5 A
- 2.2 CONTACT RESISTANCE: 30m [MAX.
- 2.3 DIELECTRIC WITHSTANDING VOLTAGE: 500V AC
R.M.S FOR ONE MINUTE.
- 2.4 INSULATION RESISTANCE: 100M [MIN AT 500V DC.
- 2.5 OPERATING TEMPERATURE: -25°C TO +85°C
- 2.6 DURABILITY: 10000 CYCLES.
- 2.7 MATING FORCE: 4.5KG MAX.
- 2.8 UNMATING FORCE: 1.0KG MIN

Ordering Code:

MDP - F - X - X - 02
 ① ② ③ ④ ⑤

- ① Series No:
- ② Male / female:
F: female
- ③ Contact Plating:
1: Selective 1u"
2: Selective 3u"
3: Selective 5u"
4: Selective 15u"
5: Selective 30u"
6: All Gold
- ④ Shell Plating:
1:NICKKL PLATK
2:TIN-LKAD PLATED
3:GOLD PLATKD
- ⑤ series number:
02



P.C.B LAYOUT (T=1.60mm)
VIEW BOTTOM(tolerance±0.05)

Unless Otherwise specified tolerance
 X. ±0.35 X.XX: ±0.20
 X.X: ±0.25 X.XXX: ±0.15

Antenk ANTENK ELECTRONICS CO., LTD
[Http://www.antenk.com](http://www.antenk.com)
 E-mail:sales@antenk.com

SCALE: As Shown UNIT: mm
 DRAW Mo Guo Xuan DATE 29/10/2018
 CHECK BobYang DATE 29/10/2018

TITLE: mini display port Female 20P SMT
with spring (centre height: 6.0)



DRAWING NO: MDP-FXX02
 PRODUCT NO: MDP-FXX02

REV	DESCRIPTION	DATE
1		
2		
3		
4		
5		