

HSF



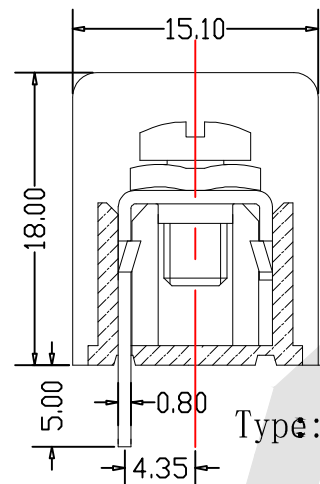
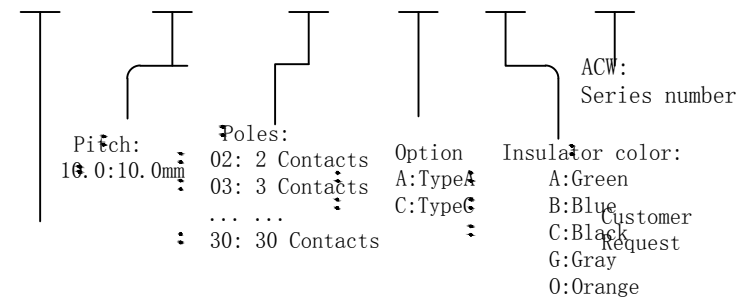
ROHS

SPECIFICATION

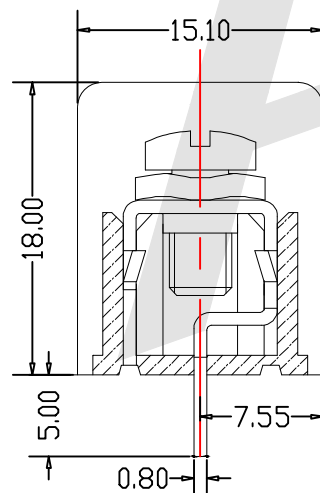
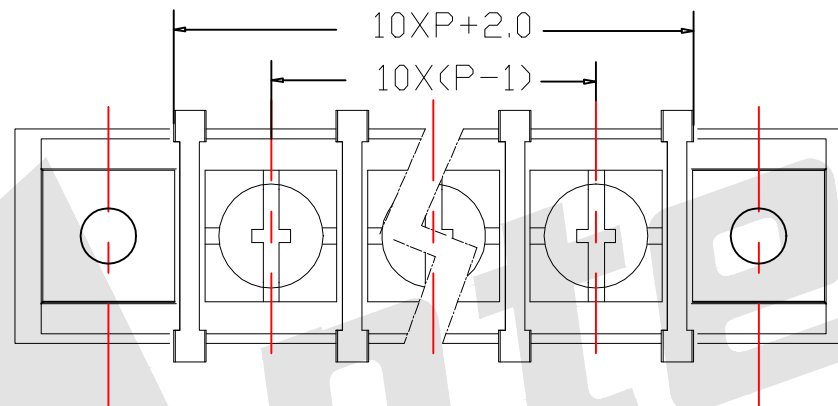
Voltage Rating (额定电压): 300V
 Current Rating (额定电流): 20A
 Wire range (使用线径): 22-12AWG 4.0mm²
 Housing (塑件): PA66+23%GF, UL94V-0
 Terminal (端子): Brass, Tin Plated (黄铜, 镀锡)
 Screw (螺丝): Steel, M3.5 Ni-Plated (钢, 镀锌)
 Torque (扭力): 1N.m

Ordering Code:

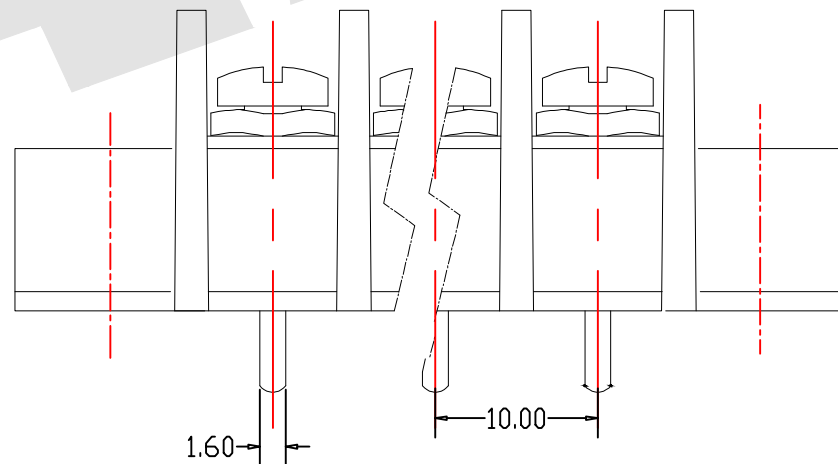
AT855 -10.0 - XX - X - X - ACW



Type: A



Type: C



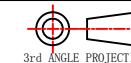
Unless Otherwise specified tolerance
 X. ±0.35 X.XX: ±0.20
 X.X: ±0.25 X.XXX: ±0.15



ANTENK ELECTRONICS CO., LTD
 Http://www.antenk.com
 E-mail:sales@antenk.com

| | |
|--------------------|--------------------|
| SCALE: As Shown | UNIT: mm |
| DRAW Wu Sai | DATE 22/03/2018 |
| CHECK BobYang | DATE 22/03/2018 |

TITLE:
Barrier Terminal Block Pitch:10.0mm



DRAWING NO: AT855-10.0XXXX-ACW
 PRODUCT NO: AT855-10.0XXXX-ACW

| REV | DESCRIPTION | DATE |
|-----|-------------|------|
| 1 | | |
| 2 | | |
| 3 | | |
| 4 | | |
| 5 | | |