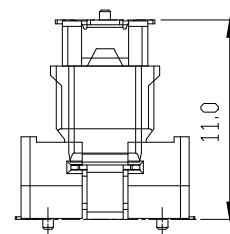
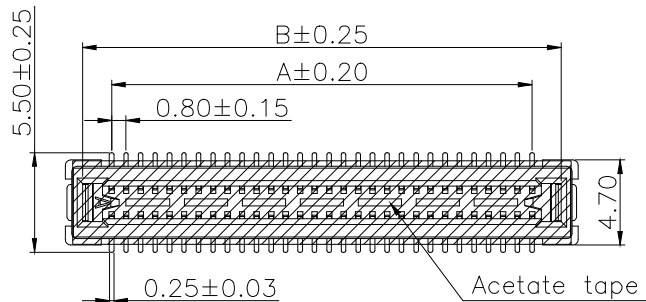


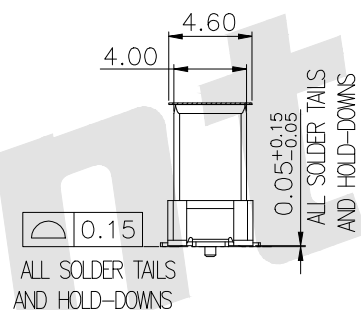
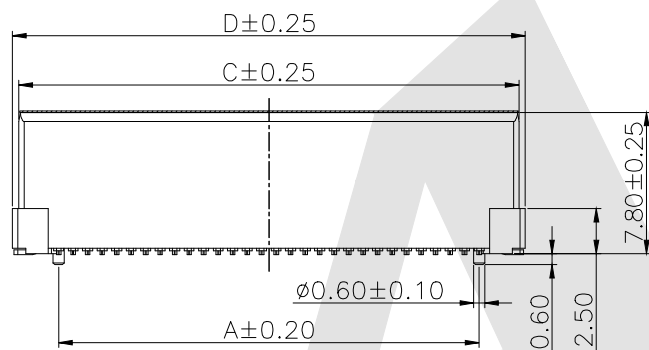
HSF

RoHS



Mating Height

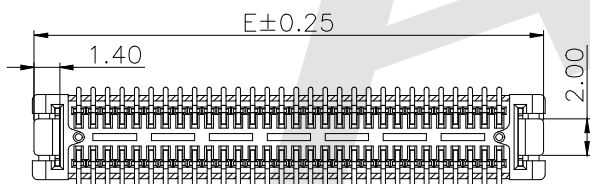
Specifications  
 Current Rating:0.5Amp  
 Insulation Resistance:500MΩ Min.  
 Dielectric Withstanding Voltage:250VAC  
 Contact Resistance:100mΩ Max.  
 Operating Temperature:-40° C to +105° C  
 Materials  
 Contact Material:Bronze  
 Insulator Material:High Temperature Thermoplastic,  
 UL 94V-0 LCP or The Equivalent Material  
 All Materials Must Meet GREENCONN Hazardous  
 Substances Control Standards.



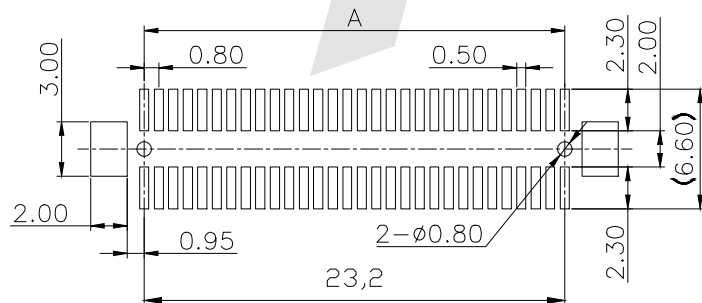
Ordering Code:

BBF0.8 - F - X - X - X - X - 05  
 ① ② ③ ④ ⑤ ⑥ ⑦

- ① Series NO:  
0.5mm Board to  
Board Floating  
Connector
- ② M:Male F:Female
- ③ Mating Height:  
11.0=11.0mm
- ④ NO. of Contacts:  
See Table  
For Example  
60:60 Poles
- ⑤ Contact Plating  
G0: Gold Flash  
G1: 3u" Gold  
G2: 5u" Gold  
G3: 10u" Gold  
G4: 15u" Gold  
G5: 30u" Gold  
SN:Tin
- ⑥ Packing  
T:Tube A:Tray  
B:Bag U:Tube+CAP  
R:tape&Reel  
W:tape&Reel+CAP
- ⑦ Serial Number: 05



| Pin NO. | A     | B     | C     | D     | E     |
|---------|-------|-------|-------|-------|-------|
| 2x30    | 23.20 | 26.40 | 27.60 | 28.30 | 28.10 |
| 2x40    | 31.20 | 34.40 | 35.60 | 36.30 | 36.10 |



Recommended P.C.Board Layout (Tolerance:±0.05)

Unless Otherwise specified tolerance  
 X. ±0.35 X.XX: ±0.20  
 X.X: ±0.25 X.XXX: ±0.15

|                      |                    |
|----------------------|--------------------|
| SCALE:<br>As Shown   | UNIT:<br>mm        |
| DRAW<br>Wu Feng Rong | DATE<br>04/15/2021 |
| CHECK<br>BobYang     | DATE<br>04/15/2021 |

**Antenk** ANTENK ELECTRONICS CO.,LTD  
 Http://www.antenk.com  
 E-mail:sales@antenk.com

TITLE: 0.8MM Floating Board to Board Female Socket  
 Connector With Post Mating Height 11.0MM



DRAWING NO: BBF0.8F-XXXX05  
 PRODUCT NO: BBF0.8F-XXXX05

| REV | DESCRIPTION | DATE |
|-----|-------------|------|
|     |             |      |