



NOTE:

Base Material:Heat Resistance Nylon,
Black Color

Flammability Rating:UL94V-0

Contacts:0.35Phosphor Bronze Nickel plated

Output:3.6V DC

RoHS COMPLIANT

Order code:

△ BBC - S - SI - A - 2-3A-A
① ② ③ ④ ⑤

① BBC: Battery Holder △

② Apperance for the product

S:180 TYPE

③ Contact Plating

SI: NICKEL Plated

SN: Tin

G0: Gold flash

G1: 3U" Gold

G2: 5U" Gold

G3: 10U" Gold

G4: 15U" Gold

G5: 30U" Gold

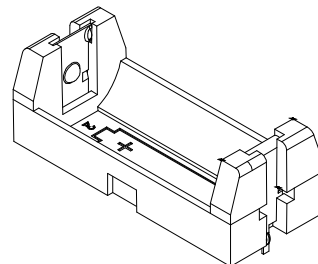
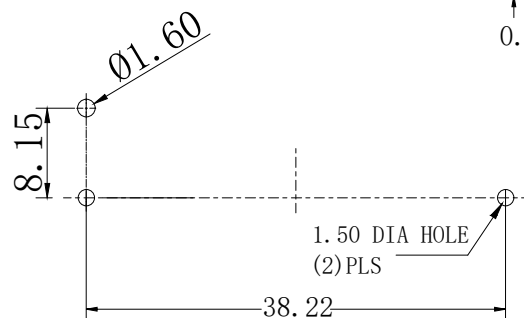
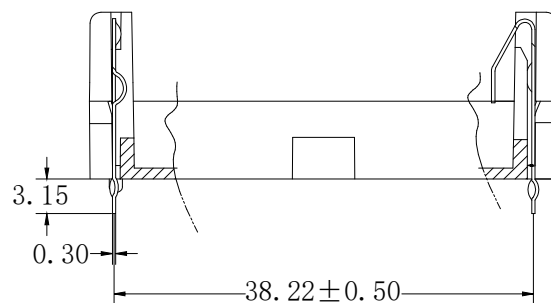
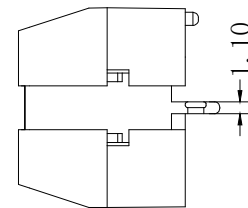
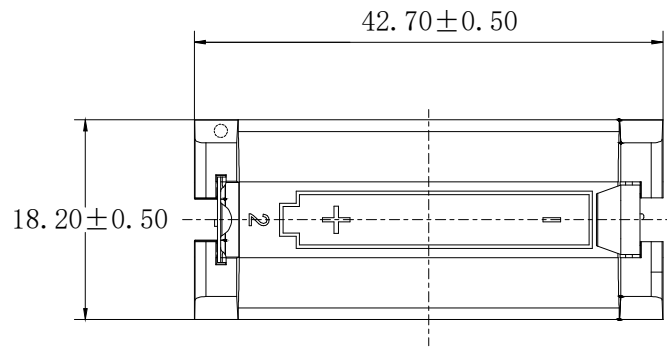
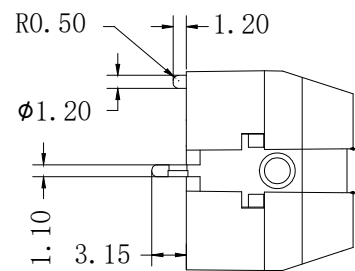
④ Packing method

A: Tray packing

B: BAG

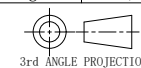
⑤ Product number

2-3A-A



Unless Otherwise specified tolerance
X. ± 0.35 X. XX: ± 0.20
X. X: ± 0.25 X. XXX: ± 0.15

SCALE: As Shown UNIT: mm
DRAW: Lv Xun Hua DATE: 29/03/2019
CHECK: BobYang DATE: 29/03/2019



Antenk® ANTENK ELECTRONICS CO., LTD
Http://www.antenk.com
E-mail:sales@antenk.com

TITLE: Battery Holder For 2/3A

DRAWING NO: BBC-S-SI-A-2-3A-A △

PRODUCT NO: BBC-S-SI-A-2-3A-A

REV	DESCRIPTION	DATE
△	Change BT-S-SI-A-CR123A-A to BBC-S-SI-A-2-3A-A, Revise Tittle	12/14/2022