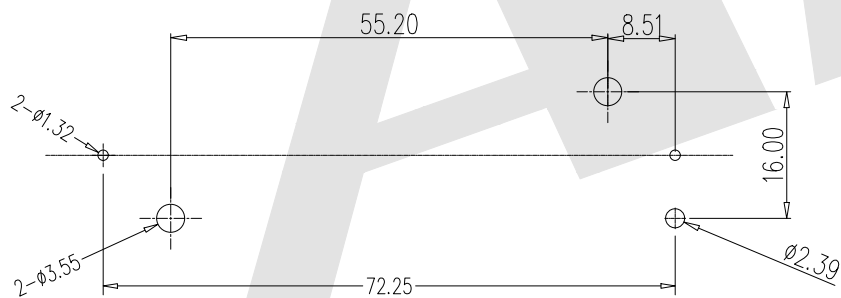
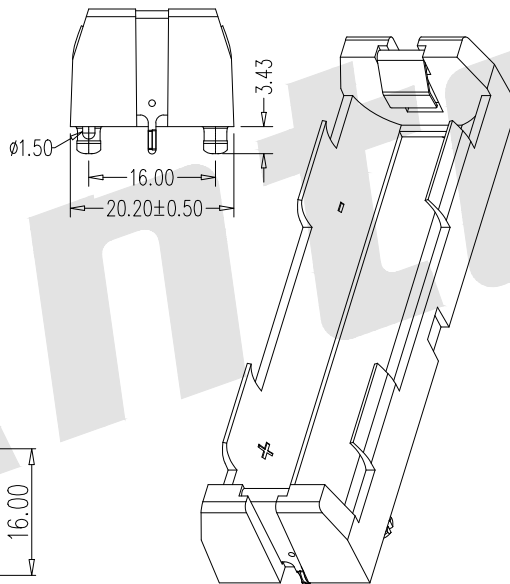
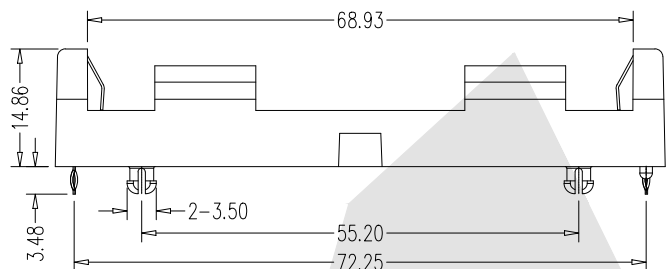
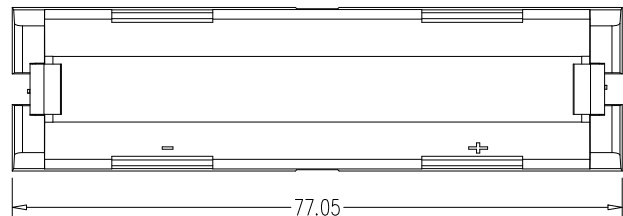


HSF



ROHS



PCB LAYOUT

NOTES说明:

- 1. BASE 底座:
MAT'L 材质: PBT UL94V-0, GREY 灰色
- 2. CONTACT:
MATL: .012 [0.30] THK STAINLESS STEEL
0.3mm 厚不锈钢

BBC - S - SN - A - 18650-043

- ① BBC: Battery Holder 电池盒
- ② Apperance for the product 连接形式
S:180°
- ③ Contact Plating 端子电镀
SI: Tin NICKEL Plated 锡镍合金
SN: Tin 锡
G0: Gold flash 普金
G1: 3U" Gold 金
G2: 5U" Gold 金
G3: 10U" Gold 金
G4: 15U" Gold 金
G5: 30U" Gold 金
- ④ Packing method 包装方式
A: Tray packing 吸塑盒装
B: BAG 袋装
- ⑤ Product number 产品编号
18650-043

Unless Otherwise specified tolerance
 X.±0.35 X.XX:±0.20
 X.X:±0.25 X.XXX:±0.15

SCALE: As Shown UNIT: mm
 DRAW ZLA DATE 04/07/2023
 CHECK BobYang DATE 04/07/2023

VER./版本号 3rd ANGLE PROJECTION

Antenk® ANTENK ELECTRONICS CO.,LTD
 Http://www.antenk.com
 E-mail:sales@antenk.com

TITLE: Single Battery Holder For 18650 THM

DRAWING NO: BBC-S-SN-A-18650-043

PRODUCT NO: BBC-S-SN-A-18650-043

MK/标记

DESCRIPTION/修订内容

DATE/日期(M/D/Y)