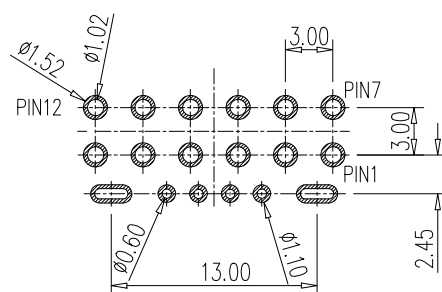
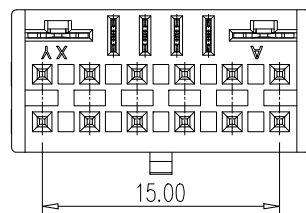
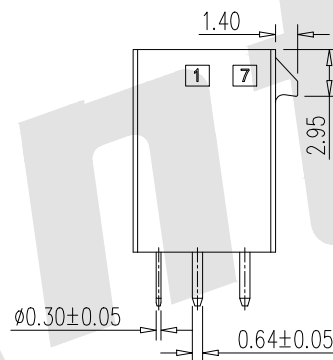
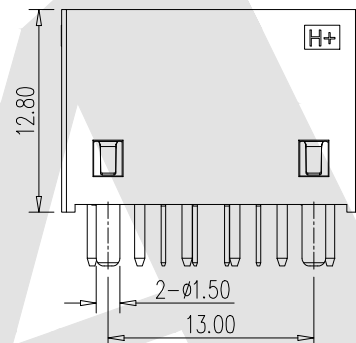
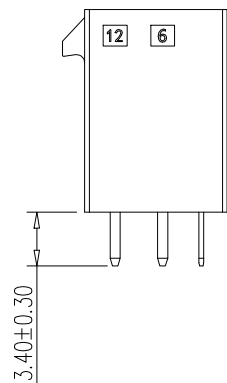
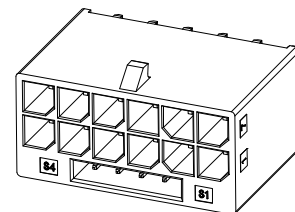
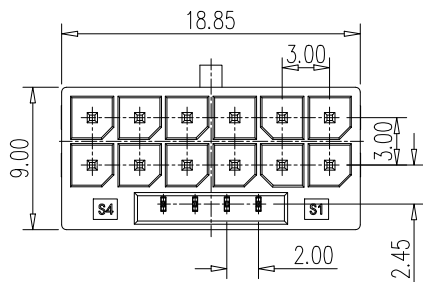


HSF



NOTE 说明:

1. MATERIAL 材料:

INSULATOR 底座: PA9T OR HTN 耐高温尼龙 UL94V-0, BLACK OR GRAY 黑色或灰色

PWR & GND PIN 电流和接地端子: C1100 紫铜

SENSE PIN 信号端子: BRASS 黄铜

BOARD LOCK 铆锁: Phosphor Bronze 磷铜

2. FINISH 电镀:

CONTACT 端子: 80u" Min MATTE TIN-PLATED OVERALL 最小80u" 雾锡, 30u" Min

NICKEL UNDER PLATED 最小30u" 镍底

3. ELECTRICAL CHARACTERISTICS 电气性能:

CURRENT RATING 额定电流: 9. 2A PER PIN (PWR & GND PIN) 每针 (功率和接地端子)

DIELECTRIC WITHSTANDING VOLTAGE 耐电压: 1500V AC 交流 1 MINUTE 分钟

INSULATION RESISTANCE 绝缘电阻: 1000MΩ MIN. 最小 AT 500V/DC 直流

CONTACT RESISTANCE 接触电阻: 10mΩ MAX 最大

TEMPERATURE RANGE 工作温度: -40°C ~ +105°C

Unless Otherwise specified tolerance
 X.±0.35 X.XX:±0.20
 X.X:±0.25 X.XXX:±0.15

SCALE: As Shown UNIT: mm
 DRAW ZLA DATE 02/25/2023
 CHECK BobYang DATE 02/25/2023

VER./版本号 3rd ANGLE PROJECTION

Antenk® ANTENK ELECTRONICS CO.,LTD
 Http://www.antenk.com
 E-mail:sales@antenk.com

TITLE: Molex 3. 0mm PCI-E 12+4P 180° Wafer Connector Series

DRAWING NO: AW3045PSP-12P-4S

PRODUCT NO: AW3045PSP-12P-4S

MK/标记	DESCRIPTION/修订内容	DATE/日期(M/D/Y)