

HSF



ROHS

Specifications:

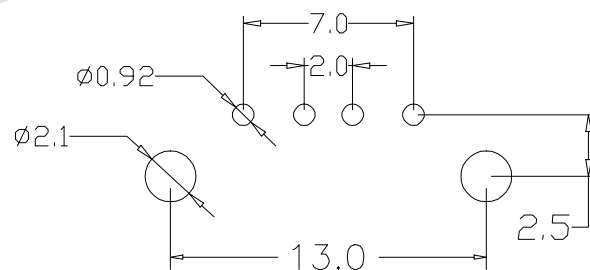
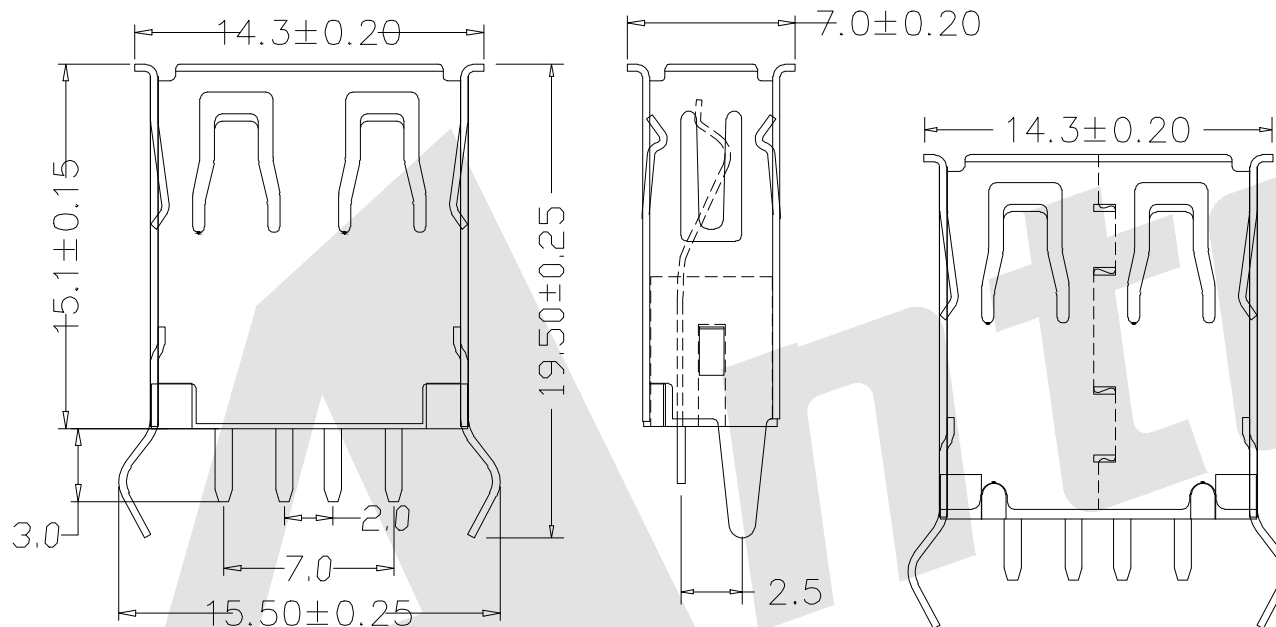
Current Rating: 1.5A Max
 Voltage Rating: 30V DC
 Contact Resistance: 30 milliohms MAX
 Dielectric Withstanding Voltage:
 500V AC AT Sea Level
 Insulation Resistance: 1000 Megohms MIN
 Housing:
 Temperature Thermoplastics, LCP UL 94V-0
 Contact:
 Copper Alloy T=0.25mm Plated Gold in Mating Area;
 Tin On Solder Talls
 Shell: Iron T=0.30mm Nickel/Plating

Ordering Code:

UAFS07B - B - P - B - S0 - X - X

① ② ③ ④ ⑤ ⑥ ⑦

- ① Series No:
- ② Shell Material:
B: Brass I: Iron
S: stainless steel
- ③ Insulator Material:
P: PBT+30%GF
L: LCP
- ④ Contact Material:
B: Brass
P: phosphor copper
- ⑤ Contact Plating
G0: Gold flash
S0: Gold flash/Ni
G1: 3u" Gold
S1: 3u" Gold/Ni
G2: 5u" Gold
S2: 5u" Gold/Ni
G3: 10u" Gold
S3: 10u" Gold/Ni
G4: 15u" Gold
S4: 15u" Gold/Ni
G5: 30u" Gold
S5: 30u" Gold/Ni
SN: Tin
- ⑥ Color Insulator
A: White
B: Black
- ⑦ Packing
A: Tray
B: Bag
C: Tube
D: Tape+Reel



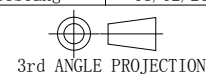
PCB LAYOUT

Unless Otherwise specified tolerance
 X. ±0.35 X.XX: ±0.20
 X.X: ±0.25 X.XXX: ±0.15

Antenk® ANTENK ELECTRONICS CO., LTD
 Http://www.antenk.com
 E-mail:sales@antenk.com

SCALE: As Shown	UNIT: mm
DRAW Wu Feng Rong	DATE 08/02/2021
CHECK BobYang	DATE 08/02/2021

TITLE: USB A Type Receptacle Straight DIP
 L=15.1mm Crimping Bend Legs



DRAWING NO: UAFS07B-BPBS0XX
 PRODUCT NO: UAFS07B-BPBS0XX

REV	DESCRIPTION	DATE
1		
2		
3		
4		
5		