

HSF

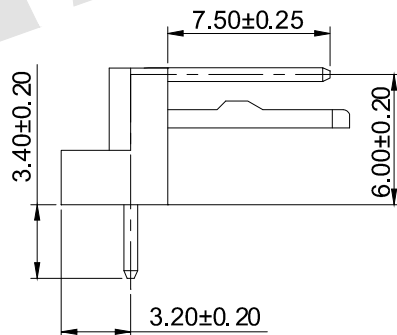
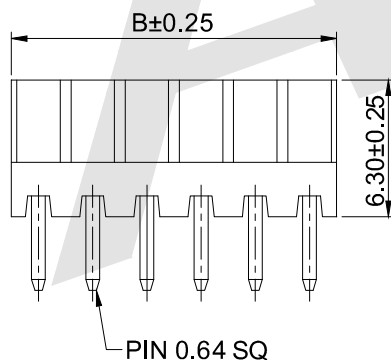
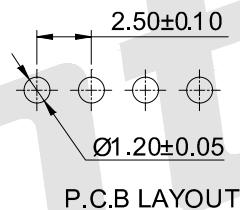
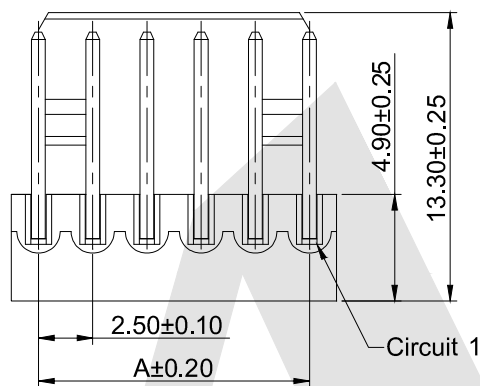


SPECIFICATIONS

- Voltage rating: 300V AC,DC
- Current rating: 3A AC,DC
- Withstanding Voltage: 1000V AC/minute
- Insulation resistance: 1000MΩ min
- Temperature range: -40°C~+105°C

WAFER

- Part NO: CW2504R-XP
- Material: Pin: Brass/Tin over Nickel
Insulator: Nylon 66, UL94V-0
- Mates with: CH2504 series Housing
- Color: Beige



Ordering Information & Dimensions:

PART NO.	Dimensions	
	AB	
CW2504R-2P	2.50	5.00
CW2504R-3P	5.00	7.50
CW2504R-4P	7.50	10.00
CW2504R-5P	10.00	12.50
CW2504R-6P	12.50	15.00
CW2504R-7P	15.00	17.50
CW2504R-8P	17.50	20.00
CW2504R-9P	20.00	22.50
CW2504R-10P	22.50	25.00
CW2504R-11P	25.00	27.50
CW2504R-12P	27.50	30.00
CW2504R-13P	30.00	32.50
CW2504R-14P	32.50	35.00
CW2504R-15P	35.00	37.50
CW2504R-16P	37.50	40.00
CW2504R-17P	40.00	42.50
CW2504R-18P	42.50	45.00
CW2504R-19P	45.00	47.50
CW2504R-20P	47.50	50.00

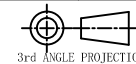
Unit: mm

Unless Otherwise specified tolerance
 X. ±0.35 X.XX: ±0.20
 X.X: ±0.25 X.XXX: ±0.15

Antenk® ANTENK ELECTRONICS CO., LTD
[Http://www.antenk.com](http://www.antenk.com)
 E-mail:sales@antenk.com

SCALE: As Shown	UNIT: mm
DRAW Jack Bao	DATE 7/9/2018
CHECK Bob Yang	DATE 7/9/2018

TITLE: 2.50mm pitch 90° Wafer Connector Series



DRAWING NO: CW2504R-XP

PRODUCT NO: CW2504R-XP

REV	DESCRIPTION	DATE
1		
2		
3		
4		
5		