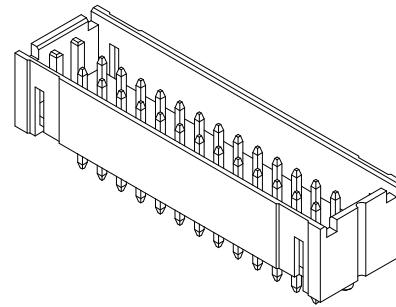


HSF



ROHS



SPECIFICATIONS

- Voltage rating: 100V AC/DC
- Current rating: 2A, AC, DC
- Withstanding Voltage: 800V AC/minute
- Insulation resistance: 1000MΩ min
- Temperature range: -40°C~+105°C

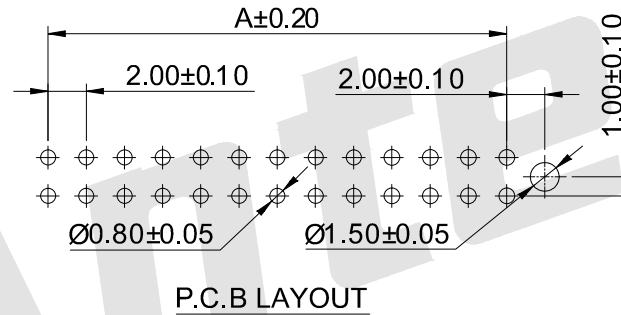
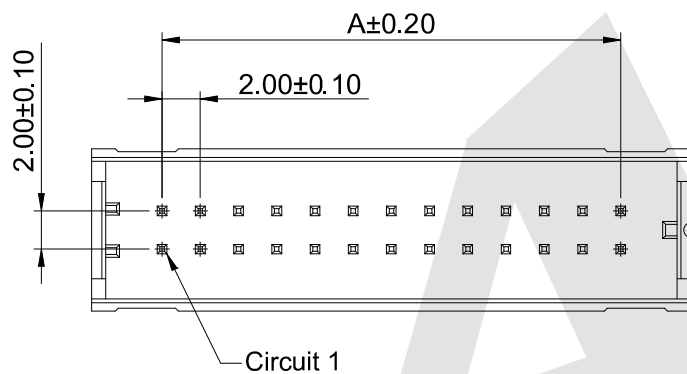
WAFER

- Part NO: AW2010VA-2xNP
- Material: Pin: Brass/Tin over Nickel
Insulator: Nylon 6T, UL94V-0
- Mates with: AH2010A-2xNP series
Dual Row Housing
- Color: Gray

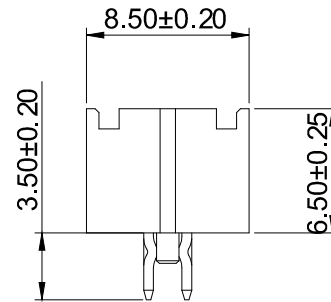
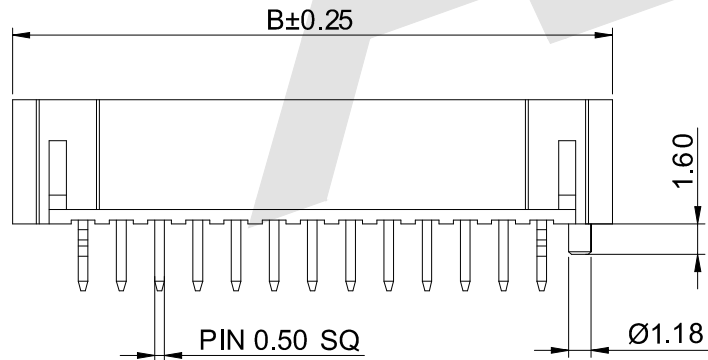
Ordering Information & Dimensions:

Poles	Part No.	Dimensions (mm)	
		A	B
4	AW2010VA-2x02P	2.00	9.40
6	AW2010VA-2x03P	4.00	11.40
8	AW2010VA-2x04P	6.00	13.40
10	AW2010VA-2x05P	8.00	15.40
12	AW2010VA-2x06P	10.00	17.40
14	AW2010VA-2x07P	12.00	19.40
16	AW2010VA-2x08P	14.00	21.40
18	AW2010VA-2x09P	16.00	23.40
20	AW2010VA-2x10P	18.00	25.40
22	AW2010VA-2x11P	20.00	27.40
24	AW2010VA-2x12P	22.00	29.40
26	AW2010VA-2x13P	24.00	31.40
28	AW2010VA-2x14P	26.00	33.40
30	AW2010VA-2x15P	28.00	35.40
32	AW2010VA-2x16P	30.00	37.40
34	AW2010VA-2x17P	32.00	39.40
40	AW2010VA-2x20P	38.00	45.40
50	AW2010VA-2x25P	48.00	55.40
60	AW2010VA-2x30P	58.00	65.40

Unit: mm

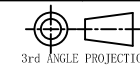


P.C.B LAYOUT



Unless Otherwise specified tolerance
 X. ±0.35 X.XX: ±0.20
 X.X: ±0.25 X.XXX: ±0.15

SCALE: As Shown UNIT: mm
 DRAW: Jack Bao DATE: 10/31/2017
 CHECK: Bob Yang DATE: 10/31/2017



ANTENK ELECTRONICS CO., LTD
[Http://www.antenk.com](http://www.antenk.com)
 E-mail: sales@antenk.com

TITLE: 2.00mm pitch 180° Dual Row Connector Series

DRAWING NO: AW2010VA-2xNP

PRODUCT NO: AW2010VA-2xNP

REV	DESCRIPTION	DATE