



Ordering Information:

D2541WV-XP - *
1 2

1.Part No.

2.Finish:

(blank):Brass/Tin over Nickel

G:Brass/Gold over Nickel

SPECIFICATIONS

- Voltage rating: 250V AC/DC
- Current rating: 3A AC, DC
- Withstanding Voltage: 1500V AC/minute
- Insulation resistance:1000MΩ min
- Temperature range: -40°C~+105°C

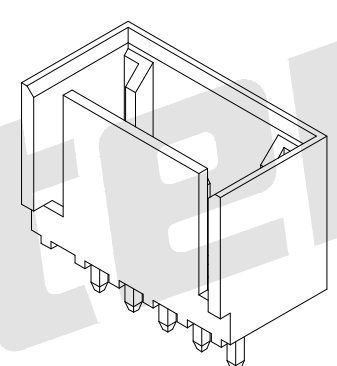
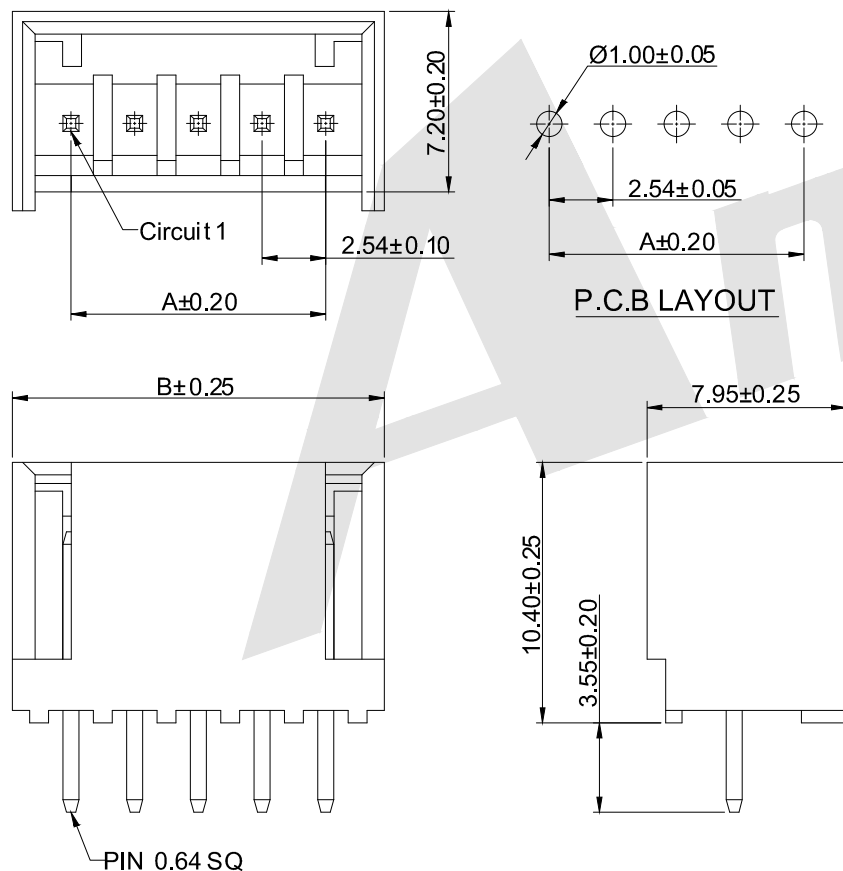
WAFER

- Part NO: DW2541V-XP
- Material: Pin: Brass/Tin over Nickel
Insulator: PBT, UL94V-0
- Mates with: DH2541 series Housing
- Color: Black

Ordering Information & Dimensions:

PART NO.	Dimensions	
	A	B
DW2541V-2P	2.54	7.21
DW2541V-3P	5.08	9.75
DW2541V-4P	7.62	12.29
DW2541V-5P	10.16	14.83
DW2541V-6P	12.70	17.37
DW2541V-7P	15.24	19.91
DW2541V-8P	17.78	22.45
DW2541V-9P	20.32	24.99
DW2541V-10P	22.86	27.53
DW2541V-11P	25.40	30.07
DW2541V-12P	27.94	32.61
DW2541V-13P	30.48	35.15
DW2541V-14P	32.02	37.69
DW2541V-15P	35.56	40.23
DW2541V-16P	38.10	42.77
DW2541V-17P	40.64	45.31
DW2541V-18P	43.18	47.85
DW2541V-19P	45.72	50.39
DW2541V-20P	48.26	52.93
DW2541V-21P	50.80	55.47
DW2541V-22P	53.34	58.01
DW2541V-23P	55.88	60.55
DW2541V-24P	58.42	63.09

Unit: mm



Unless Otherwise specified tolerance
 X. ±0.35 X.XX: ±0.20
 X.X: ±0.25 X.XXX: ±0.15

Antenk® ANTENK ELECTRONICS CO., LTD
[Http://www.antenk.com](http://www.antenk.com)
 E-mail:sales@antenk.com

SCALE: As Shown	UNIT: mm
DRAW Jack Bao	DATE 7/10/2018
CHECK Bob Yang	DATE 7/10/2018

TITLE: 2.54mm pitch IDC 180° Wafer Connector Series



DRAWING NO: DW2541V-XP
 PRODUCT NO: DW2541V-XP

REV	DESCRIPTION	DATE
1		
2		
3		
4		
5		