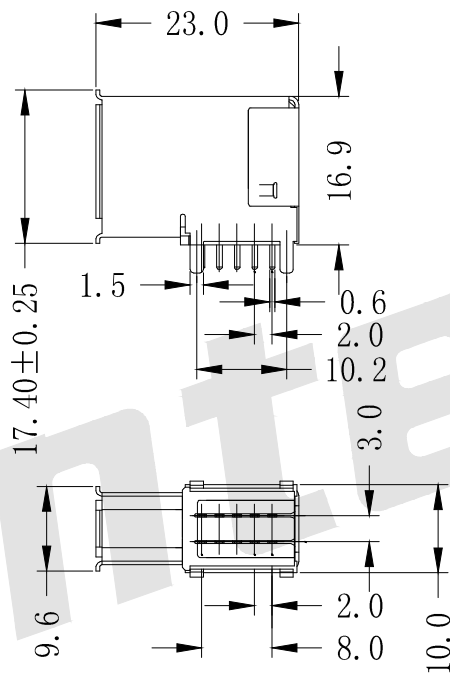


Recommended PCB Hole Mounting Pattern



Tolerance Unless Noted			
	0	0.0	0.00
mm	±3	±0.3	±0.13

Dimensions For Reference Only

Specifications:  
 Current Rating: 1A Max  
 Contact Resistance: 30 milliohms MAX  
 Dielectric Withstanding Voltage: 500V AC AT 1Min  
 Insulation Resistance: 1000 Megohms MIN  
 Operating Temperature: -55° C to +105° C  
 Housing:  
 Temperature Thermoplastics, LCP+30% GF UL 94V-0  
 Contact:  
 Copper Alloy Gold in Mating Area;  
 Tin On Solder Talls  
 Shell:  
 Copper Alloy Nickel, Gold Plating

Ordering Code:

IEFR05 - B - L - B - S0 - X  
 ① ② ③ ④ ⑤ ⑥

- ① Series No:
- ② Shell Material:  
B: Brass
- ③ Insulator Material:  
L: LCP+30%GF
- ④ Contact Material:  
B: Brass
- ⑤ Contact Plating:  
G0: Gold flash  
S0: Gold flash/Ni  
G1: 3u" Gold  
S1: 3u" Gold/Ni  
G2: 5u" Gold  
S2: 5u" Gold/Ni  
G3: 10u" Gold  
S3: 10u" Gold/Ni  
G4: 15u" Gold  
S4: 15u" Gold/Ni  
G5: 30u" Gold  
S5: 30u" Gold/Ni  
SN: Tin
- ⑥ Packing:  
A: Tray  
B: Bag  
C: Tube  
D: Tape Reel

Unless Otherwise specified tolerance  
 X. ±0.35 X.XX: ±0.20  
 X.X: ±0.25 X.XXX: ±0.15

**Antenk**® ANTENK ELECTRONICS CO., LTD  
[Http://www.antenk.com](http://www.antenk.com)  
 E-mail: sales@antenk.com

SCALE: As Shown	UNIT: mm
DRAW Wu Feng Rong	DATE 07/27/2021
CHECK BobYang	DATE 07/27/2021

TITLE: 1394 10P Receptacle Angle Side-Entry DIP



DRAWING NO: IEFR05-BLBS0X  
 PRODUCT NO: IEFR05-BLBS0X

REV	DESCRIPTION	DATE