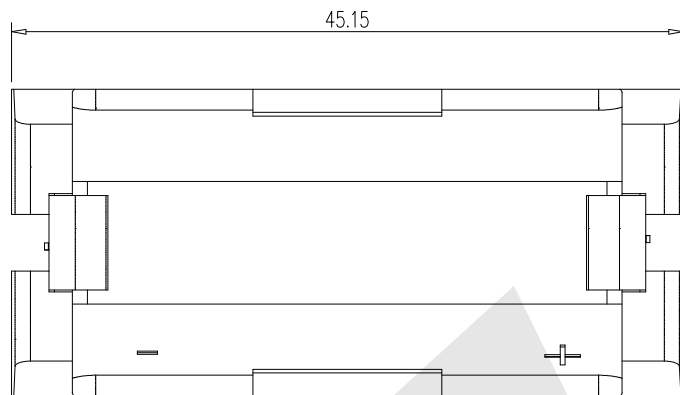


HSF

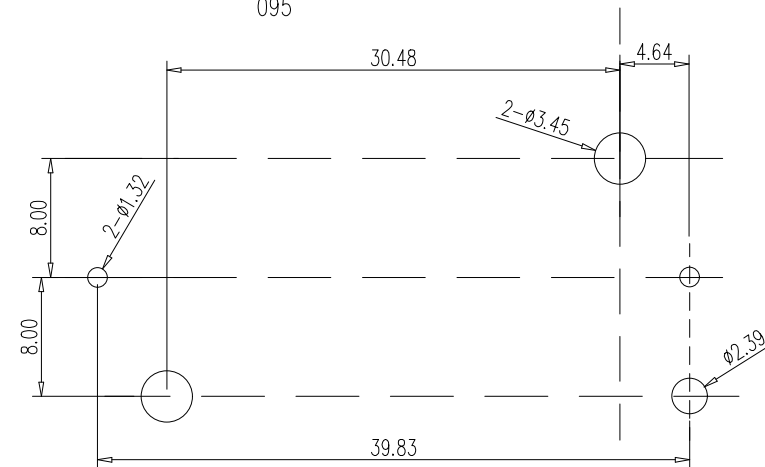
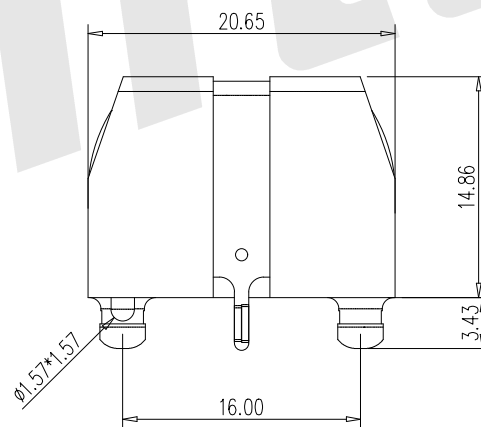
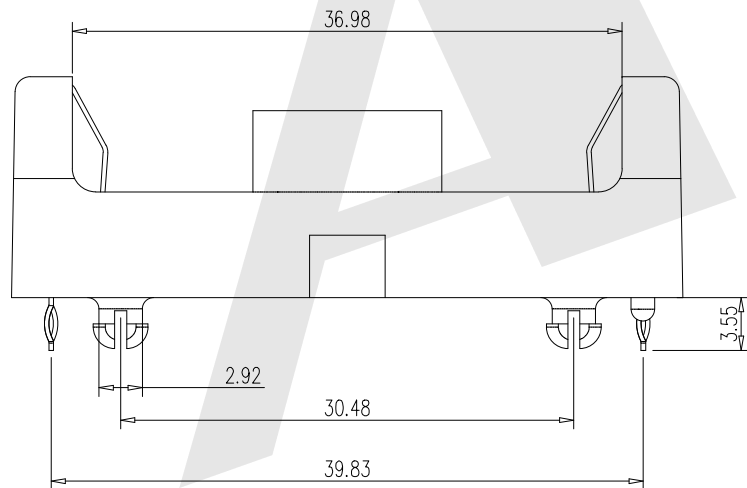


Material:
Base: PA46+30%GF, BLACK, UL94V-0;
CONTACT: 0.3MM THK STAINLESS STEEL
FINISH: BRIGHT TIN 200U" OVER NICKEL 50U"



BBC - S - SN - A - 095
① ② ③ ④ ⑤

- ① BBC: Battery Holder 电池盒
- ② Appearance for the product 连接形式
S: 180°
- ③ Contact Plating 端子电镀
SI: Tin NICKEL Plated 锡镍合金 G2: 5U" Gold 金
SN: Tin 锡 G3: 10U" Gold 金
G0: Gold flash 普金 G4: 15U" Gold 金
G1: 3U" Gold 金 G5: 30U" Gold 金
- ④ Packing method 包装方式
A: Tray packing 吸塑盒装
B: BAG 袋装
- ⑤ Product number 产品编号
095



Unless Otherwise specified tolerance
X.±0.35 X.XX:±0.20
X.X:±0.25 X.XXX:±0.15

SCALE: As Shown UNIT: mm
DRAW ZLA DATE 26/12/2023
CHECK BobYang DATE 26/12/2023

VER./版本号 3rd ANGLE PROJECTION

Antenk® ANTENK ELECTRONICS CO., LTD
Http://www.antenk.com
E-mail:sales@antenk.com

TITLE: Single Battery Holder THM For 18350

DRAWING NO: BBC-S-SN-A-095
PRODUCT NO: BBC-S-SN-A-095

MK/标记	DESCRIPTION/修订内容	DATE/日期(M/D/Y)
-------	------------------	----------------