



SPECIFICATION

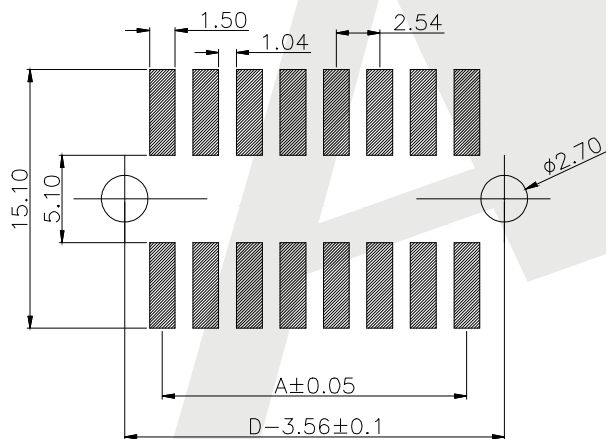
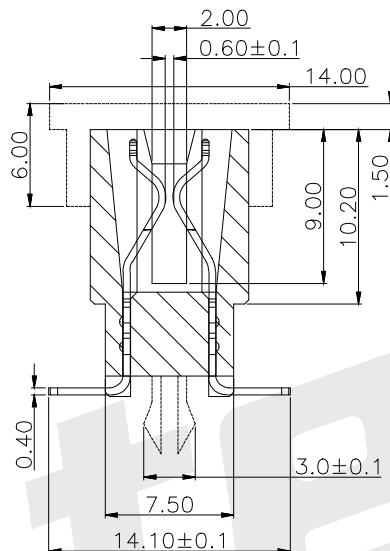
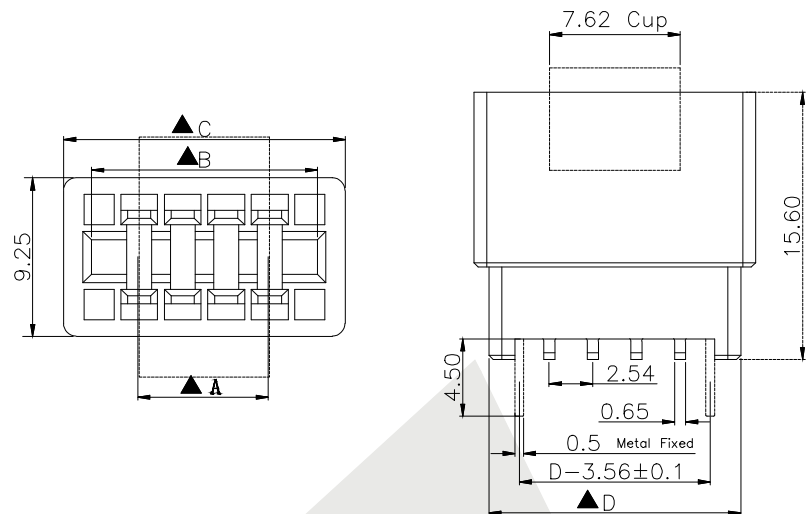
- CURRENT RATING:3AMP
- DIELECTRIC WITHSTANDING VOLTAGE:1000V AC RMS 60Hz. 1MIN
- CONTACT RESISTANCE:20 MILLIOHMS MAX
- INSULATION RESISTANCE:5000 MEGOHMS MIN. At 500V DC
- OPERATION TEMPERATURE:-55° C TO +85° C
- INSERTION FORCE:0.4Kgf MAX. Per Pair  
Withdrawal Force:0.25Kgf MAX. Per Pair

Insulator:PBT (UL94V-0)  
CONTACT:BRASS OR PHOSPHOR BRONZE GOLD PLATED ON CONTACT AREA  
TIN PLATED ON SOLDER TAILS, OVER NICKEL

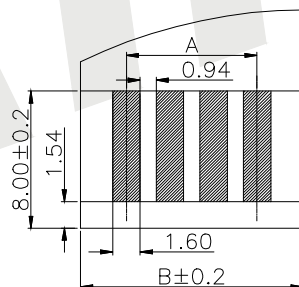
Order code:

ECM - X - B - W - S0 - X - B - XXX  
① ② ③ ④ ⑤ ⑥ ⑦ ⑧

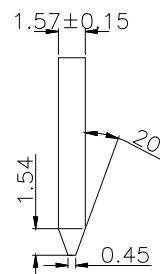
- ① SERIES NO:ECM
- ② Number of Pins:X  
FOR Example:128=128P
- ③ Pitch:B:2.54MM
- ④ SMT Width :W  
W=14.10MM
- ⑤ Contact Plating  
G0:GOLD Flash  
G1: 3U" Gold  
G2: 5U" Gold  
G3:10U" Gold  
G4:15U" Gold  
G5:30U" Gold  
SN:Tin
- ⑥ Plastic Materials:  
P:PBT  
L:LCP
- ⑦ Packing  
A:Tray  
B:Bag  
T:Tube  
U:Tube+CAP  
R:Tape&Reel  
W:Tape&Reel+CAP
- ⑧ Product TYPE.:XXX  
LOCKING CLIP(METAL FIXED)  
PLASTIC CUP  
BLANK=WITHOUT LOCKING CLIP,  
WITHOUT CUP  
LC=WITH LOCKING CLIP, WITH CUP  
C=WITHOUT LOCKING CLIP, WITH CUP  
LCC=WITH LOCKING CLIP, WITHOUT CUP



Recommended P. C. B. Layout



Recommended CARD Layout

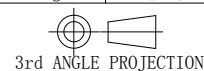


Unless Otherwise specified tolerance  
X. ±0.35 X.XX: ±0.20  
X.X: ±0.25 X.XXX: ±0.15

**Antenk**® ANTENK ELECTRONICS CO.,LTD  
Http://www.antenk.com  
E-mail:sales@antenk.com

SCALE: As Shown UNIT: mm  
DRAW Wu Feng Rong DATE 11/10/2020  
CHECK BobYang DATE 11/10/2020

TITLE:  
2.54mm EDGE Slot SMT W/O CLIP AND CUP Connectors



DRAWING NO: ECM-XBWS0XBXXX  
PRODUCT NO: ECM-XBWS0XBXXX

| REV | DESCRIPTION | DATE |
|-----|-------------|------|
| 1   |             |      |
| 2   |             |      |
| 3   |             |      |
| 4   |             |      |
| 5   |             |      |



| Pin | A     | B     | C     | D     | Pin | A      | B      | C      | D      |
|-----|-------|-------|-------|-------|-----|--------|--------|--------|--------|
| 4   | 2.54  | 7.92  | 11.37 | 9.62  | 64  | 78.74  | 84.12  | 87.57  | 85.82  |
| 6   | 5.08  | 10.46 | 13.91 | 12.16 | 66  | 81.28  | 86.66  | 90.11  | 8& 36  |
| 8   | 7.62  | 13    | 16.45 | 14.7  | 68  | 83.82  | 89.2   | 92.65  | 90.9   |
| 10  | 10.16 | 15.54 | 18.99 | 17.24 | 70  | 86.36  | 91.74  | 95.19  | 93.44  |
| 12  | 12.7  | 1& 08 | 21.53 | 19.78 | 72  | 8& 9   | 94.28  | 97.73  | 95.98  |
| 14  | 15.24 | 20.62 | 24.07 | 22.32 | 74  | 91.44  | 96.82  | 100.27 | 9& 52  |
| 16  | 17.78 | 23.16 | 26.61 | 24.86 | 76  | 93.98  | 99.36  | 102.81 | 101.06 |
| 18  | 20.32 | 25.7  | 29.15 | 27.4  | 78  | 96.52  | 101.9  | 105.35 | 103.6  |
| 20  | 22.86 | 2& 24 | 31.69 | 29.94 | 80  | 99.06  | 104.44 | 107.89 | 106.14 |
| 22  | 25.4  | 30.78 | 34.23 | 32.48 | 82  | 101.6  | 106.98 | 110.43 | 10& 68 |
| 24  | 27.94 | 33.32 | 36.77 | 35.02 | 84  | 104.14 | 109.52 | 112.97 | 111.22 |
| 26  | 30.48 | 35.86 | 39.31 | 37.56 | 86  | 106.68 | 112.06 | 115.51 | 113.76 |
| 28  | 33.02 | 3& 4  | 41.85 | 40.1  | 88  | 109.22 | 114.6  | 118.05 | 116.3  |
| 30  | 35.56 | 40.94 | 44.39 | 42.64 | 90  | 111.76 | 117.14 | 120.59 | 118.84 |
| 32  | 3& 1  | 43.48 | 46.93 | 45.18 | 92  | 114.3  | 119.68 | 123.13 | 121.38 |
| 34  | 40.64 | 46.02 | 49.47 | 47.72 | 94  | 116.84 | 122.22 | 125.67 | 123.92 |
| 36  | 43.18 | 4& 56 | 52.01 | 50.26 | 96  | 119.38 | 124.76 | 128.21 | 126.46 |
| 38  | 45.72 | 51.1  | 54.55 | 52.8  | 98  | 121.92 | 127.3  | 130.75 | 129    |
| 40  | 48.26 | 53.64 | 57.09 | 55.34 | 100 | 124.46 | 129.84 | 133.29 | 131.54 |
| 42  | 50.8  | 56.18 | 59.63 | 57.88 | 102 | 127    | 132.38 | 135.83 | 134.08 |
| 44  | 53.34 | 58.72 | 62.17 | 60.42 | 104 | 129.54 | 134.92 | 138.37 | 136.62 |
| 46  | 55.88 | 61.26 | 64.71 | 62.96 | 106 | 132.08 | 137.46 | 140.91 | 139.16 |
| 48  | 58.42 | 63.8  | 67.25 | 65.5  | 108 | 134.62 | 140    | 143.45 | 141.7  |
| 50  | 60.96 | 66.34 | 69.79 | 6& 04 | 110 | 137.16 | 142.54 | 145.99 | 144.24 |
| 52  | 63.5  | 6& 88 | 72.33 | 70.58 | 112 | 139.7  | 145.08 | 14& 53 | 146.78 |
| 54  | 66.04 | 71.42 | 74.87 | 73.12 | 114 | 142.24 | 147.62 | 151.07 | 149.32 |
| 56  | 68.58 | 73.96 | 77.41 | 75.66 | 116 | 144.78 | 150.16 | 153.61 | 151.86 |
| 58  | 71.12 | 76.5  | 79.95 | 7& 2  | 118 | 147.32 | 152.7  | 156.15 | 154.4  |
| 60  | 73.66 | 79.04 | 82.49 | 80.74 | 120 | 149.86 | 155.24 | 158.69 | 156.94 |
| 62  | 76.2  | 81.58 | 85.03 | 83.28 | 128 | 160.02 | 165.4  | 168.85 | 167.1  |

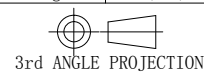
Unless Otherwise specified tolerance  
 X. ±0.35 X.XX: ±0.20  
 X.X: ±0.25 X.XXX: ±0.15



ANTENK ELECTRONICS CO., LTD  
 Http://www.antenk.com  
 E-mail:sales@antenk.com

|                      |                    |
|----------------------|--------------------|
| SCALE:<br>As Shown   | UNIT:<br>mm        |
| DRAW<br>Wu Feng Rong | DATE<br>11/10/2020 |
| CHECK<br>BobYang     | DATE<br>11/10/2020 |

TITLE:  
2.54mm EDGE Slot SMT W/O CLIP AND CUP Connectors



DRAWING NO: ECM-XBWS0XBXXX  
 PRODUCT NO: ECM-XBWS0XBXXX

| REV | DESCRIPTION | DATE |
|-----|-------------|------|
|     |             |      |



| Pin | A     | B     | C     | D     | Pin | A      | B      | C      | D      |
|-----|-------|-------|-------|-------|-----|--------|--------|--------|--------|
| 4   | 2.54  | 7.92  | 11.37 | 9.62  | 64  | 78.74  | 84.12  | 87.57  | 85.82  |
| 6   | 5.08  | 10.46 | 13.91 | 12.16 | 66  | 81.28  | 86.66  | 90.11  | 8& 36  |
| 8   | 7.62  | 13    | 16.45 | 14.7  | 68  | 83.82  | 89.2   | 92.65  | 90.9   |
| 10  | 10.16 | 15.54 | 18.99 | 17.24 | 70  | 86.36  | 91.74  | 95.19  | 93.44  |
| 12  | 12.7  | 1& 08 | 21.53 | 19.78 | 72  | 8& 9   | 94.28  | 97.73  | 95.98  |
| 14  | 15.24 | 20.62 | 24.07 | 22.32 | 74  | 91.44  | 96.82  | 100.27 | 9& 52  |
| 16  | 17.78 | 23.16 | 26.61 | 24.86 | 76  | 93.98  | 99.36  | 102.81 | 101.06 |
| 18  | 20.32 | 25.7  | 29.15 | 27.4  | 78  | 96.52  | 101.9  | 105.35 | 103.6  |
| 20  | 22.86 | 2& 24 | 31.69 | 29.94 | 80  | 99.06  | 104.44 | 107.89 | 106.14 |
| 22  | 25.4  | 30.78 | 34.23 | 32.48 | 82  | 101.6  | 106.98 | 110.43 | 10& 68 |
| 24  | 27.94 | 33.32 | 36.77 | 35.02 | 84  | 104.14 | 109.52 | 112.97 | 111.22 |
| 26  | 30.48 | 35.86 | 39.31 | 37.56 | 86  | 106.68 | 112.06 | 115.51 | 113.76 |
| 28  | 33.02 | 3& 4  | 41.85 | 40.1  | 88  | 109.22 | 114.6  | 118.05 | 116.3  |
| 30  | 35.56 | 40.94 | 44.39 | 42.64 | 90  | 111.76 | 117.14 | 120.59 | 118.84 |
| 32  | 3& 1  | 43.48 | 46.93 | 45.18 | 92  | 114.3  | 119.68 | 123.13 | 121.38 |
| 34  | 40.64 | 46.02 | 49.47 | 47.72 | 94  | 116.84 | 122.22 | 125.67 | 123.92 |
| 36  | 43.18 | 4& 56 | 52.01 | 50.26 | 96  | 119.38 | 124.76 | 128.21 | 126.46 |
| 38  | 45.72 | 51.1  | 54.55 | 52.8  | 98  | 121.92 | 127.3  | 130.75 | 129    |
| 40  | 48.26 | 53.64 | 57.09 | 55.34 | 100 | 124.46 | 129.84 | 133.29 | 131.54 |
| 42  | 50.8  | 56.18 | 59.63 | 57.88 | 102 | 127    | 132.38 | 135.83 | 134.08 |
| 44  | 53.34 | 58.72 | 62.17 | 60.42 | 104 | 129.54 | 134.92 | 138.37 | 136.62 |
| 46  | 55.88 | 61.26 | 64.71 | 62.96 | 106 | 132.08 | 137.46 | 140.91 | 139.16 |
| 48  | 58.42 | 63.8  | 67.25 | 65.5  | 108 | 134.62 | 140    | 143.45 | 141.7  |
| 50  | 60.96 | 66.34 | 69.79 | 6& 04 | 110 | 137.16 | 142.54 | 145.99 | 144.24 |
| 52  | 63.5  | 6& 88 | 72.33 | 70.58 | 112 | 139.7  | 145.08 | 14& 53 | 146.78 |
| 54  | 66.04 | 71.42 | 74.87 | 73.12 | 114 | 142.24 | 147.62 | 151.07 | 149.32 |
| 56  | 68.58 | 73.96 | 77.41 | 75.66 | 116 | 144.78 | 150.16 | 153.61 | 151.86 |
| 58  | 71.12 | 76.5  | 79.95 | 7& 2  | 118 | 147.32 | 152.7  | 156.15 | 154.4  |
| 60  | 73.66 | 79.04 | 82.49 | 80.74 | 120 | 149.86 | 155.24 | 158.69 | 156.94 |
| 62  | 76.2  | 81.58 | 85.03 | 83.28 | 128 | 160.02 | 165.4  | 16& 85 | 167.1  |

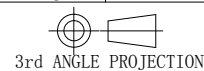
Unless Otherwise specified tolerance  
 X. ±0.35 X.XX: ±0.20  
 X.X: ±0.25 X.XXX: ±0.15



ANTENK ELECTRONICS CO., LTD  
 Http://www.antenk.com  
 E-mail:sales@antenk.com

|                      |                    |
|----------------------|--------------------|
| SCALE:<br>As Shown   | UNIT:<br>mm        |
| DRAW<br>Wu Feng Rong | DATE<br>11/10/2020 |
| CHECK<br>BobYang     | DATE<br>11/10/2020 |

TITLE:  
2.54mm EDGE Slot SMT W/O CLIP AND CUP Connectors



DRAWING NO: ECM-XBWS0XBXXX  
 PRODUCT NO: ECM-XBWS0XBXXX

| REV | DESCRIPTION | DATE |
|-----|-------------|------|
|     |             |      |