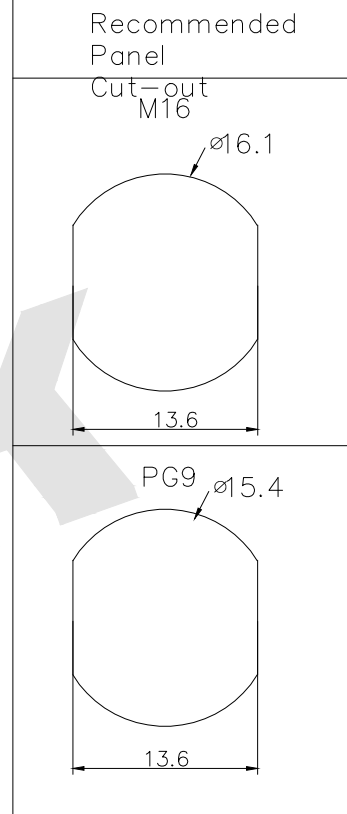
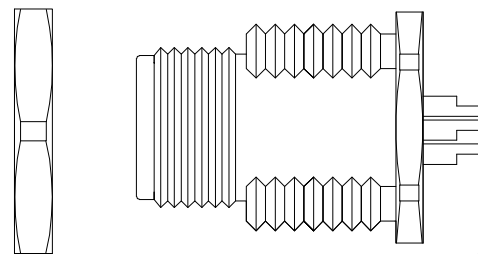


HSF



	2 Pin	3 Pin	4 Pin	5 Pin	6 Pin	7 Pin	8 Pin
Pin	1.00	1.00	1.00	1.00	0.80	0.80	0.80
A-CODE							
B-CODE							
D-CODE							

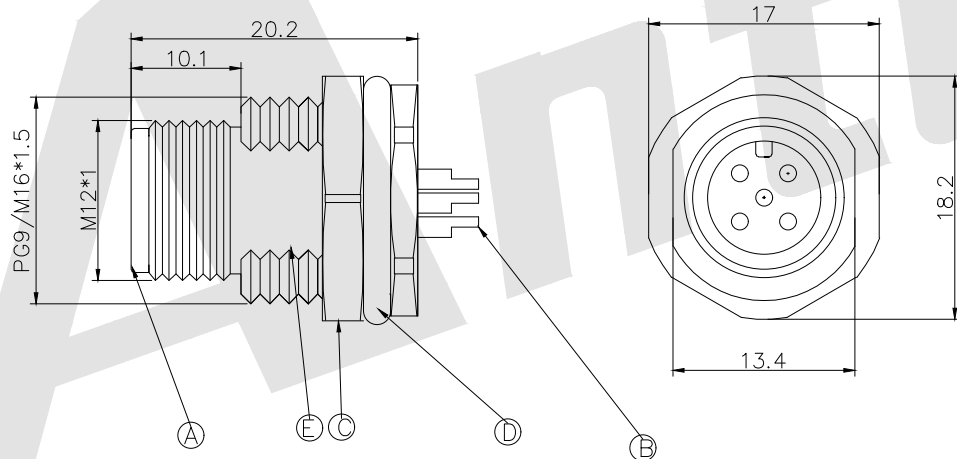
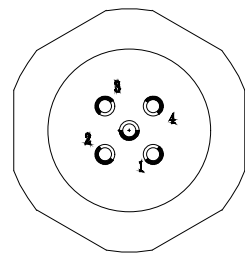


Order Code:

M1202 - X - XP - M - 003

① ② ③ ④ ⑤

- ① Type of M series: M1202
- ② Code Option: A B D
- ③ NO. of PINS: 02~08
- ④ Gender option: Male
- ⑤ Series number: 003



Engagement force	≤30N	Rated voltage	2-5pin: 60v DC 6-8pin: 30V DC
Isengagement force	≥5N	Rated current	2-5pin: 4A 6-8pin: 2A
echanical lifespan	≥500	Insulation resistance	≥1000 MΩ
IP rating	IP67/IP68	Contace resistance	≤10mΩ
Flammability	UL94 v-0	Operation Temperature	-40 T0+105℃

Item	PART NAME	QTY	MATERIAL /FINISH
E	Over Mold	1	NICKL PLATED BRASS
D	O RING	1	SILIGONE RED
C	NUT	1	NICKL PLATED BRASS
B	male PIN	/	GOLD PLATED BRASS
A	BODY	1	PA66+GF BLACK

Unless Otherwise specified tolerance
 X.±0.35 X.XX:±0.20
 X.X:±0.25 X.XXX:±0.15

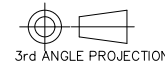
SCALE: As Shown UNIT: mm
 DRAW ZLA DATE 24/05/2022
 CHECK BobYang DATE 24/05/2022

Antenk® ANTENK ELECTRONICS CO.,LTD
 Http://www.antenk.com
 E-mail:sales@antenk.com

TITLE: M12 2~8P Male Waterproof Wire Side
 Lock Front Panel PG9 M16 SW17T

DRAWING NO: M1202-X-XP-M-003

PRODUCT NO: M1202-X-XP-M-003



REV	DESCRIPTION	DATE