



SPECIFICATIONS

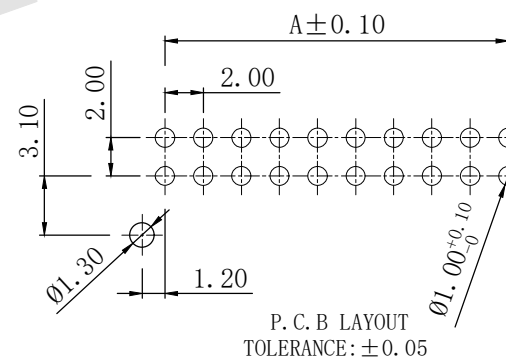
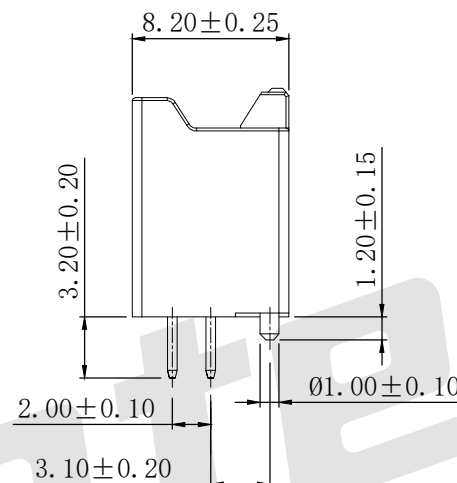
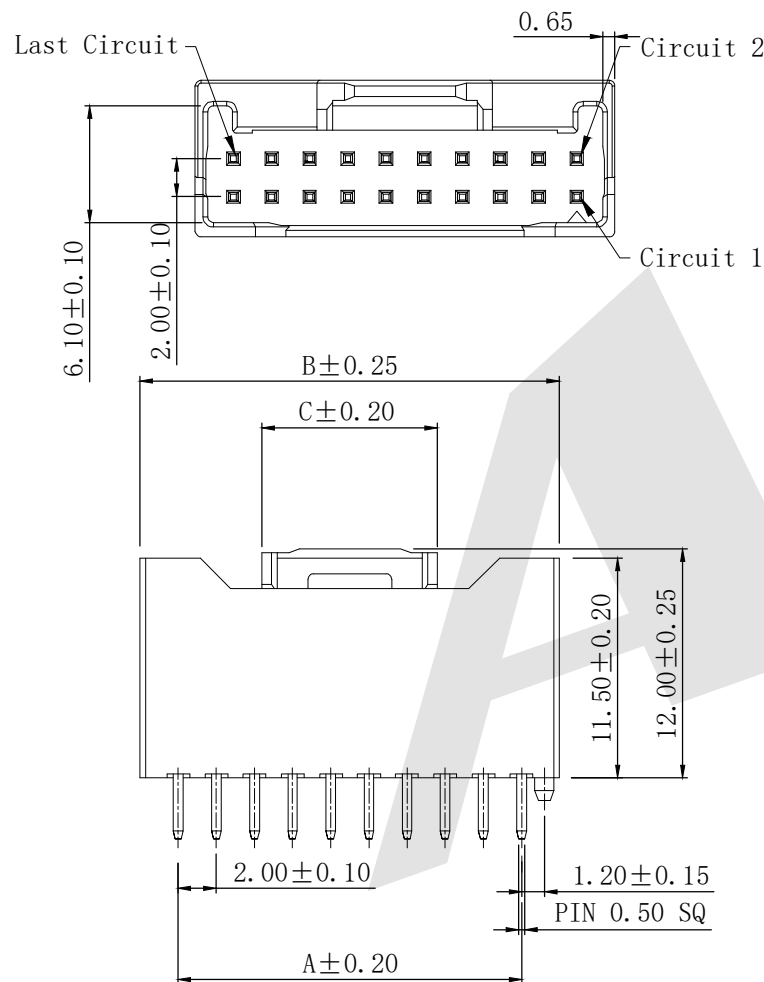
- Current rating: 3A, AC, DC
- Voltage rating: 250V AC, DC
- Temperature range: -40°C ~ +105°C
- Contact Resistance: 10mΩ Max
- Insulation resistance: 1000MΩ min
- Withstanding Voltage: 800V AC/minute

WAFER

- Part NO: AW2021V-NP-X
- Material: Pin: Brass/Tin over Nickel
Insulator: Nylon 66, UL94V-0
- Mates with: AH2021 series Housing
- Color: Beige

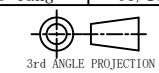
Ordering Information & Dimensions:

PIN	A	B	C
10	8.00	12.00	7.30
12	10.00	14.00	9.20
14	12.00	16.00	9.20
16	14.00	18.00	9.20
18	16.00	20.00	9.20
20	18.00	22.00	9.20
22	20.00	24.00	9.20
24	22.00	26.00	9.20
26	24.00	28.00	9.20
28	26.00	30.00	9.20
30	28.00	32.00	9.20
32	30.00	34.00	9.20
34	32.00	36.00	9.20
36	34.00	38.00	9.20
38	36.00	40.00	9.20
40	38.00	42.00	9.20



Unless Otherwise specified tolerance
 X. ±0.35 X.XX: ±0.20
 X.X: ±0.25 X.XXX: ±0.15

SCALE: As Shown UNIT: mm
 DRAW: Yin Han DATE: 03/18/2024
 CHECK: Bob Yang DATE: 03/18/2024



Antenk ANTENK ELECTRONICS CO.,LTD
[Http://www.antenk.com](http://www.antenk.com)
 E-mail:sales@antenk.com

TITLE:
2.00mm pitch 180° Connector Series

DRAWING NO: AW2021V-NP-X
 PRODUCT NO: AW2021V-NP-X

REV	DESCRIPTION	DATE
1		
2		
3		
4		
5		