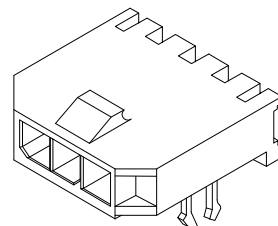
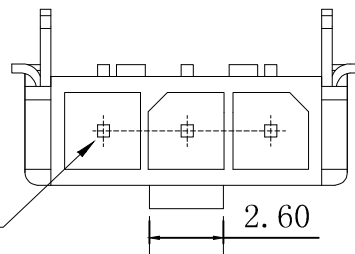


HSF

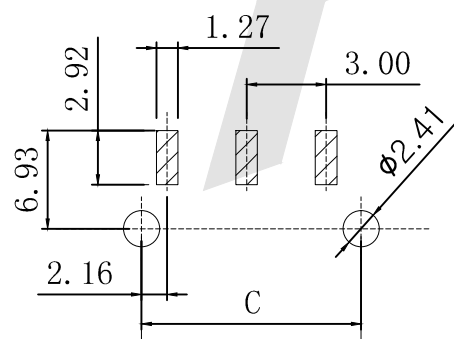
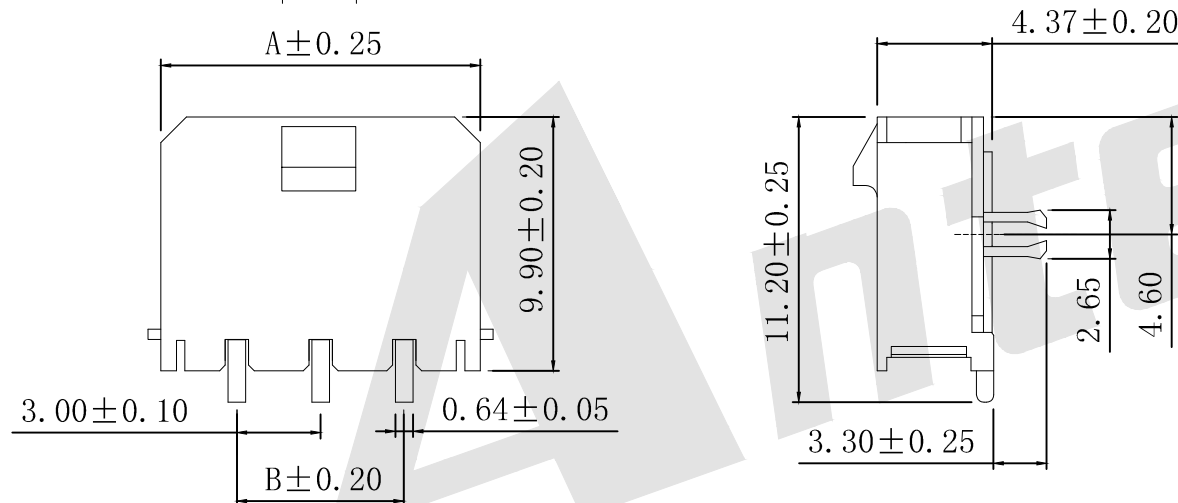


SPECIFICATIONS

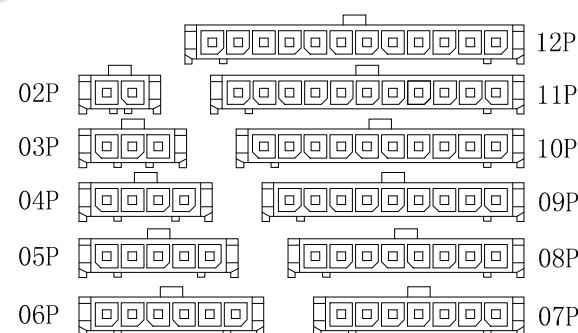
- Voltage rating: 250V AC, DC
- Current rating: 5A, AC, DC
- Withstanding Voltage: 1500V AC/minute
- Insulation resistance: 1000MΩ min
- Temperature range: -25°C~+85°C
- Contact resistance: 20mΩ max

WAFER

- Part NO: AW3045SRD-NP
- Poles: 02-12P
- Housing Material: LCP UL94 V-0 Black
- Ter Material: Brass
- Solder Tabs Plating: Tin-Plated
- The Dimension Marked “▼” Must Be Recorded



P. C. B. LAYOUT

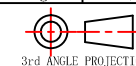


CIRCUIT SIZE LAYOUT

Poles	Part No.	Dimensions (mm)		
		A	B	C
2	AW3045SRD-02	9.65	3.00	7.30
3	AW3045SRD-03	12.65	6.00	10.30
4	AW3045SRD-04	15.65	9.00	13.30
5	AW3045SRD-05	18.65	12.00	16.30
6	AW3045SRD-06	21.65	15.00	19.30
7	AW3045SRD-07	24.65	18.00	22.30
8	AW3045SRD-08	27.65	21.00	25.30
9	AW3045SRD-09	30.65	24.00	28.30
10	AW3045SRD-10	33.65	27.00	31.30
11	AW3045SRD-11	36.65	30.00	34.30
12	AW3045SRD-12	39.65	33.00	37.30

Unless otherwise specified tolerance
 X. ±0.35 X.XX: ±0.20
 X.X: ±0.25 X.XXX: ±0.15

SCALE: As Shown UNIT: mm
 DRAW Jack Bao DATE 07/09/2017
 CHECK Bob Yang DATE 07/09/2017



Antenk® ANTENK ELECTRONICS CO., LTD
[Http://www.antenk.com](http://www.antenk.com)
 E-mail: sales@antenk.com

TITLE: MX3.0mm SMT 90° With forking grounding Wafer Connector Series

DRAWING NO: AW3045SRD-NP

PRODUCT NO: AW3045SRD-NP

REV	DESCRIPTION	DATE