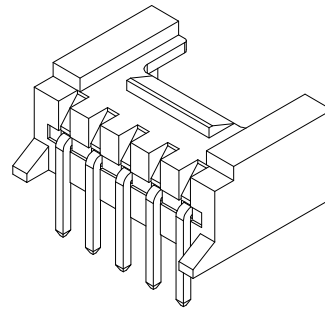


HSF



ROHS

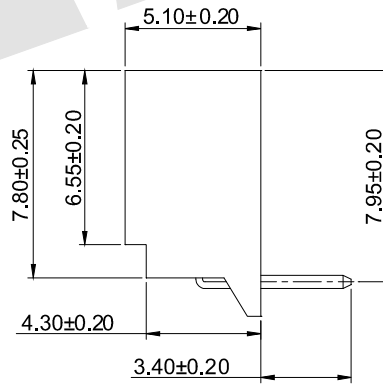
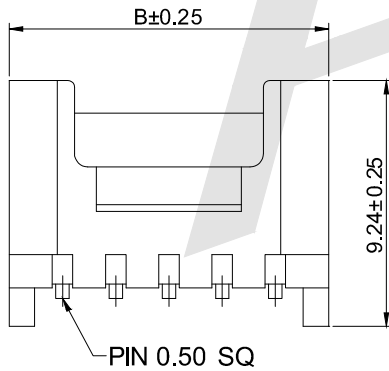
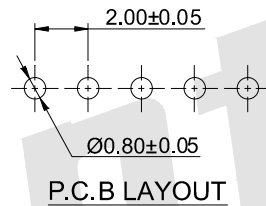
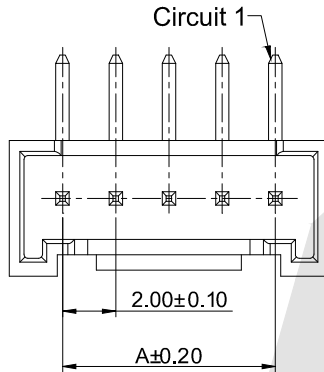


SPECIFICATIONS

- Voltage Rating: 250V AC, DC
- Current Rating: 3A, AC, DC
- Withstanding Voltage: 1000V AC/Minute
- Insulation Resistance: 1000MΩ Min
- Contact Resistance: 30mΩ Max
- Temperature Range: -40°C ~ +105°C

WAFER

- Part NO: AW2008R-2xNP
- Material: Pin: Brass/Tin Over Nickel
Insulator: Nylon 66, UL94V-0
- Mates With: AH2008 Dual Row Series Housing
- Color: Ivory



Ordering Information & Dimensions:

Poles	Part No.	Dimensions (mm)	
		A	B
2	AW2008R-02P	2.00	6.00
3	AW2008R-03P	4.00	8.00
4	AW2008R-04P	6.00	10.00
5	AW2008R-05P	8.00	12.00
6	AW2008R-06P	10.00	14.00
7	AW2008R-07P	12.00	16.00
8	AW2008R-08P	14.00	18.00
9	AW2008R-09P	16.00	20.00
10	AW2008R-10P	18.00	22.00
11	AW2008R-11P	20.00	24.00
12	AW2008R-12P	22.00	26.00
13	AW2008R-13P	24.00	28.00
14	AW2008R-14P	26.00	30.00
15	AW2008R-15P	28.00	32.00
16	AW2008R-16P	30.00	34.00

Unit: mm

Unless Otherwise specified tolerance
 X. ±0.35 X.XX: ±0.20
 X.X: ±0.25 X.XXX: ±0.15

SCALE: As Shown UNIT: mm
 DRAW: Jack Bao DATE: 10/22/2017
 CHECK: Bob Yang DATE: 10/22/2017

ANTENK ELECTRONICS CO., LTD
[Http://www.antenk.com](http://www.antenk.com)
 E-mail: sales@antenk.com

TITLE: 2.00mm pitch 90° Wafer Connector Series

DRAWING NO: AW2008R-NP

PRODUCT NO: AW2008R-NP



Add Contact Resistance

06/24/2021



3rd ANGLE PROJECTION

REV	DESCRIPTION	DATE
1		
2		
3		
4		
5		