



DISCRIPTION:

RJ45 With Internal Magnetics ConnectorDesignde to Support Such Applications as:Ethernet Equipment Complex,Switches, Routers,Firewalls,Servers and Hub Internal Magnetics are 100% Electrically Test for Functionality Per IEEE802.3af/at Requirement

ELECTRICAL:Rohs Peak Wave Solder Temperature Rating 235° C High Performance For Maximum EMI Suppression 350uH Minmum OCL With 8mA Bias Current Poe rating:30W,700mA,48V (For Poe Products Only)Jack Caviy Conforms And Regulations,Part 68 Subpart F.

Insertion Force:2 Contacts---350g 4 Contact---500g 6 Contacts---750g 8 Contact---900g 10 Contacts---1050g

MECIANICAL:

RETENTION STRENGTH:7.7KGS BETWEEN Jack and Plug

DURABILITY:750 Mating Cycles Mini

HOUSING:1 Glass Filled PA66(UL 94V-0)

2 Glass Filled PA66/LCP (UL 94V-0)

3 Glass Filled PBT(UL 94V-0)

MATERIAL:Spring Wire:1 0.2-0.45MM DIA Phosphor Bronze Gold Plating Over Nickel 2 0.2-0.35MM Thickness Phosphor BRonze Alloy Selective Gold Plating Over Nickel

Shielding:0.12-0.24MM Thickness Copper Alloy With Tin Plated

Gold Pating:3u",6u",15u", 30", 50u"

Working Temperature:-20° C~70° C

Tolerances Unless Otherwise Specified:0~10±0.15、10~20 ±0.2、20~40±0.25、40~70 ±0.3≥70±0.4

Order code:

ATRJU - A - G0 - 001

(1) (2) (3) (4)

(1)Type of product code

ATRJU RJ45 JACK+USB

(2)Product Dimension Definition

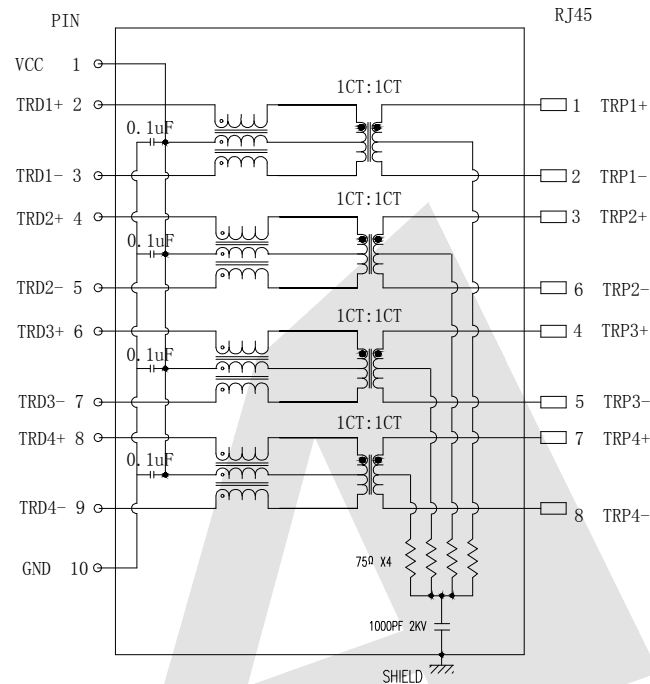
| | |
|---|-------------------------|
| A | With LED & EMI Shield |
| G | Without LED without EMI |
| I | Without LED Unshield |
| J | With LED unshield |

(3)Plating Product Definition

| | |
|----|------------|
| G0 | Gold Flash |
| G1 | 3U" Gold |
| G2 | 6U" Gold |
| G3 | 10U" Gold |
| G4 | 15U" Gold |
| G5 | 30U" Gold |
| SN | TIN |

(4)Series number:001

SHEMATIC RV1



ELECTRICAL SPECIFICATIONS AT 25° C

| Insertion Loss dB max | Return Loss dB min | | | Crosstalk(dB TYP) | | | Common Mode Rejection (dB TYP) | Hipot (vrms) |
|-----------------------|--------------------|---------|----------|-------------------|---------|----------|--------------------------------|--------------|
| | 1-100MHz | 1-30MHz | 30-60MHz | 60-100MHz | 1-30MHz | 30-60MHz | | |
| -1.2 | -18 | -16 | -12 | -40 | -35 | -30 | -30 | 1500/0.5mA |

Unless Otherwise specified tolerance X. ±0.35 X.XX:±0.20 X.X:±0.25 X.XXX:±0.15

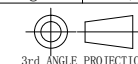
| | |
|-------------------|-----------------|
| SCALE: As Shown | UNIT: mm |
| DRAW Wu Feng Rong | DATE 05/06/2020 |
| CHECK BobYang | DATE 05/06/2020 |

Antenk® ANTENK ELECTRONICS CO.,LTD Http://www.antenk.com E-mail:sales@antenk.com

TITLE: RJ45 WITH TRANSFORMER JACK+USB3.0 G-Y LED

DRAWING NO: ATRJU-A-G0-001

PRODUCT NO: ATRJU-A-G0-001



| REV | DESCRIPTION | DATE |
|-----|-------------|------|
| 1 | | |
| 2 | | |
| 3 | | |
| 4 | | |
| 5 | | |