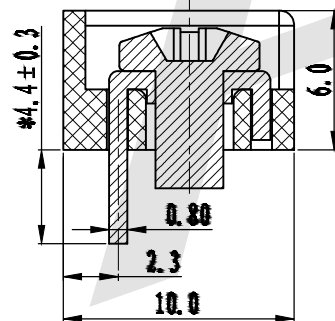
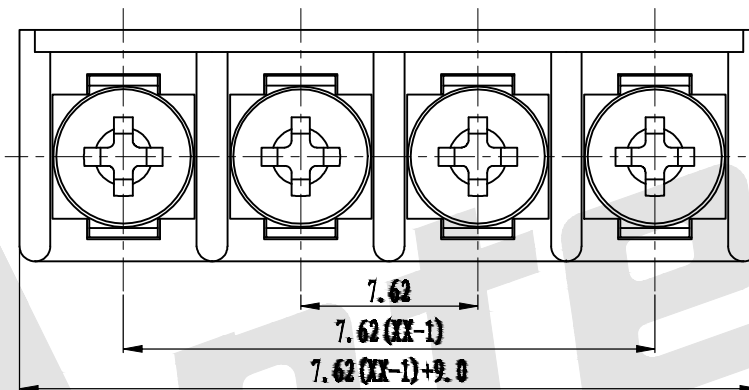
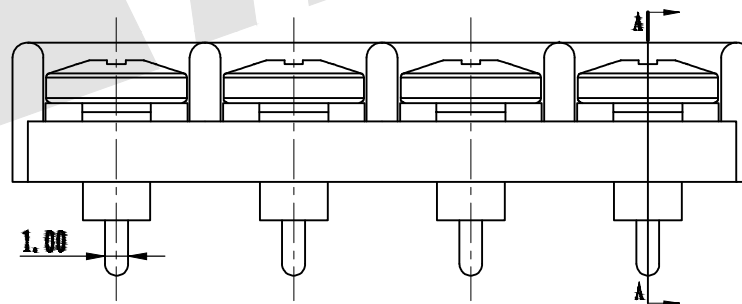


**P.C.B. LAYOUT**



**SECTION A-A**



**SPECIFICATION**

Standard(参考标准): UL IEC  
 Voltage Rating (额定电压): 150V 130V  
 Current Rating(额定电流): 15A 17.5A  
 Wire range(使用线径): 22-14AWG 1.5mm<sup>2</sup>  
 Withstanding voltage(耐电压): AC2000V/1Min  
 Insulation resistance(绝缘电阻): 500MΩ/DC500V  
 Temp Rang(温度范围): -40° C ~ +105° C  
 Max Torque(最大锁紧力矩): 0.5Nm(4.5lb. in)  
 Housing(塑件): PA66, UL94V-0  
 Screw(螺丝): Steel, M3.0 Ni-Plated  
 Terminal(端子): Brass.0.8t,Tin Plated  
 Pitch(间距): 7.62mm  
 Poles(极数): 2P-22P

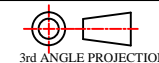
**Ordering Code:**

**AT806 - 7.62 - XX - X - 01**

Pitch: 7.62:7.62mm  
 Poles: 02: 2 Contacts  
 03: 3 Contacts  
 ... ..  
 22: 22 Contacts  
 Insulator color: A:Green B:Blue  
 C:Black G:Gray  
 O:Orange T:Transparent  
 R:Red Y:Yellow  
 W:White  
 01: Series number.

Unless Otherwise specified tolerance  
 X.±0.35 X.XX:±0.20  
 X.X:±0.25 X.XXX:±0.15

SCALE: As Shown UNIT: mm  
 DRAW Wu Sai DATE 22/03/2018  
 CHECK Bob Yang DATE 22/03/2018



**Antenk** ANTENK ELECTRONICS  
 www.antenk.com  
 E-mail:sales@antenk.com

TITLE: Barrier Terminal Block Pitch:7.62mm

DRAWING NO: AT806-7.62XXX-01  
 PRODUCT NO: AT806-7.62XXX-01

REV	DESCRIPTION	DATE
1		
2		
3		
4		
5		