

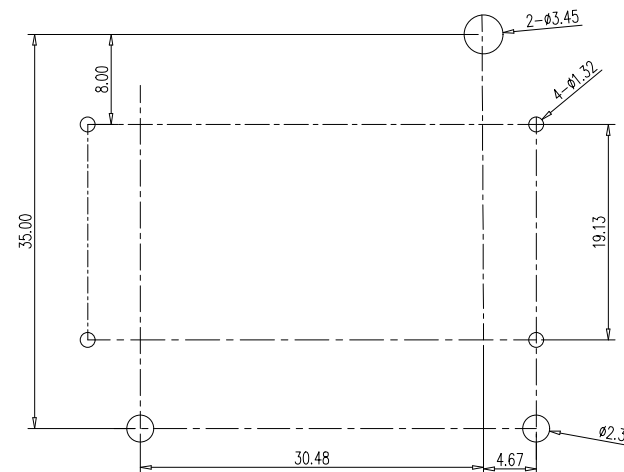
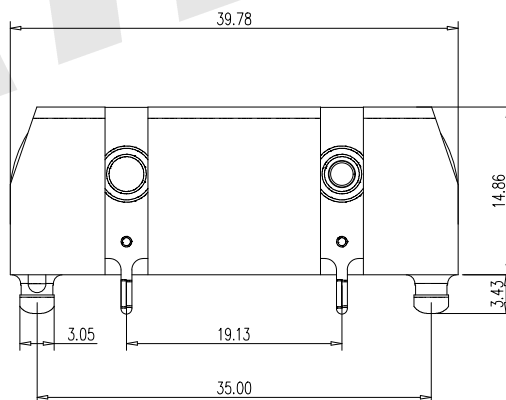
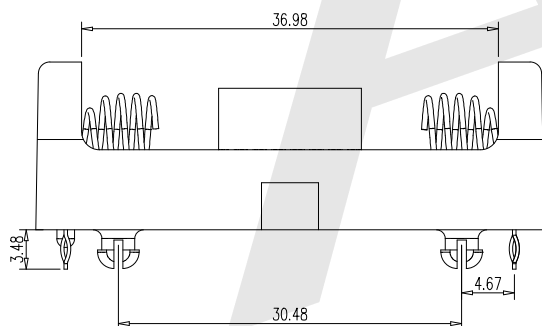
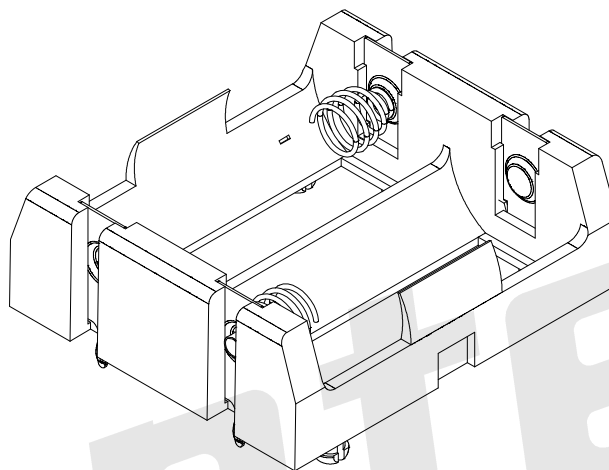
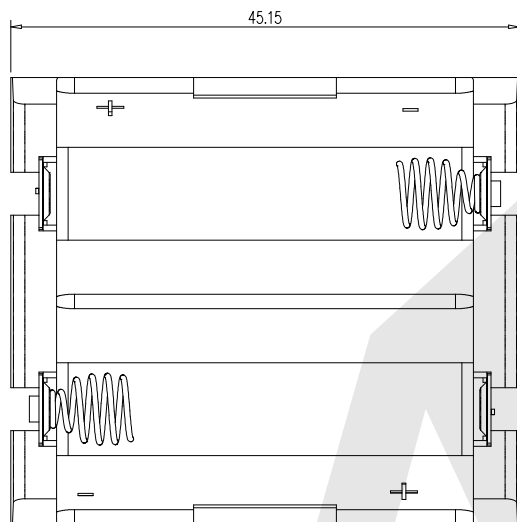
HSF



Material:
Base: PA46+30%GF,BLACK,UL94V-0;
CONTACT:0.3MM THK STAINLESS STEEL
FINISH:BRIGHT TIN 200U" OVER NICKEL 50U"

BBC - S - SN - A - 137

- ① BBC: Battery Holder 电池盒
- ② Apperance for the product 连接形式
- S:180°
- ③ Contact Plating 端子电镀
- SI: Tin NICKEL Plated 锡镍合金 G2: 5U" Gold 金
- SN: Tin 锡 G3: 10U" Gold 金
- GO: Gold flash 普金 G4: 15U" Gold 金
- G1: 3U" Gold 金 G5: 30U" Gold 金
- ④ Packing method 包装方式
- A: Tray packing 吸塑盒装
- B: BAG 袋装
- ⑤ Product number 产品编号
- 137



Unless Otherwise specified tolerance
X.±0.35 X.XX:±0.20
X.X:±0.25 X.XXX:±0.15

SCALE: As Shown UNIT: mm
DRAW YH DATE 01/05/2024
CHECK BobYang DATE 01/05/2024

VER./版本号 3rd ANGLE PROJECTION

Antenk® ANTENK ELECTRONICS CO.,LTD
Http://www.antenk.com
E-mail:sales@antenk.com

TITLE: Dual Battery Holder For 18350 THM

DRAWING NO: BBC-S-SN-A-137

PRODUCT NO: BBC-S-SN-A-137

MK/标记	DESCRIPTION/修订内容	DATE/日期(M/D/Y)
1	2	3