

DIMENSIONS (mm)						
No. OF PINS	A	B	C	D	E	F
15	16.92	25.00	30.81	19.28	2.54	2.29
26	25.25	33.33	39.14	27.51	0.51	2.29
44	38.96	47.04	53.04	41.27	0.51	2.29
62	55.42	63.50	69.32	57.71	0.58	2.39

Ordering Code:

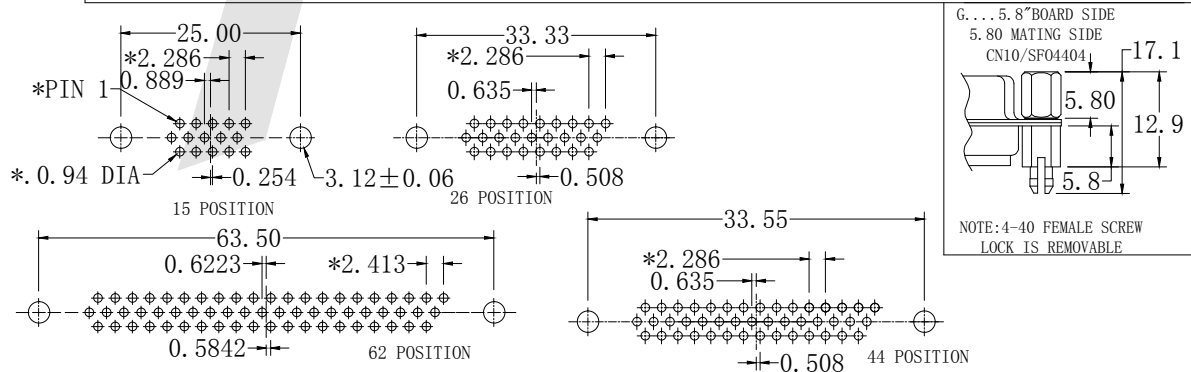
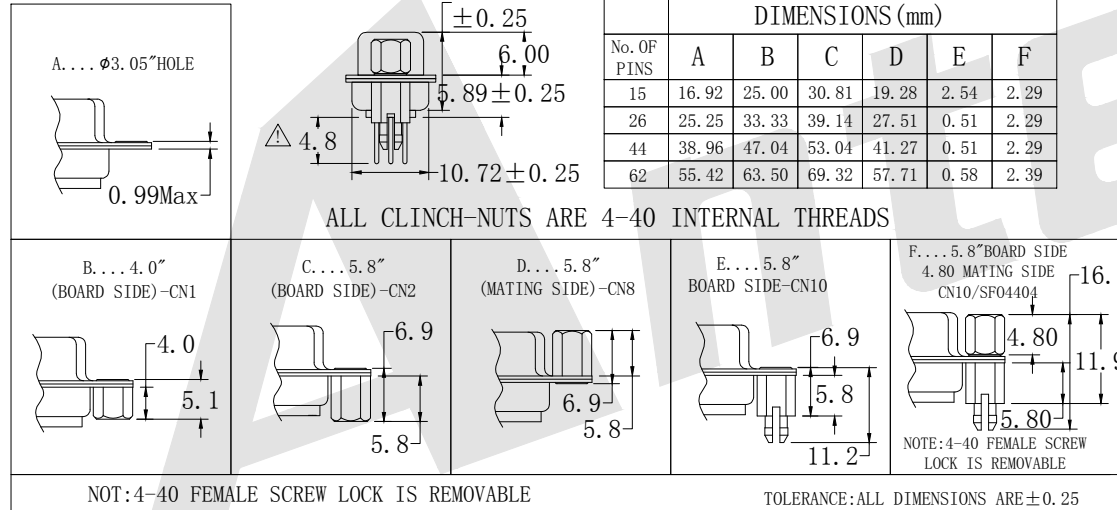
MHDP01 - F - X - X - X - X
 ① ② ③ ④ ⑤ ⑥

- ① MHDP Series
- ② Contact Type:
F:Female
- ③ Contact NO. :
15=15Pin 26=26Pin
44=44Pin 62=62Pin

- ⑤ Insulation Color Code:
B:Black G:Grey
W:White L:Blue

- ④ Mounting Option:
A: $\phi 3.05$ "HOLE, NO HARDWARE
B: 4.00"4-40 INSERT, BOARD SIDE
C: 5.80"4-40 INSERT, BOARD SIDE
D: 5.8 4-40 INSERT, MATING SIDE
E: 5.80"4-40 BOARD LOCK, BOARD SIDE
F: 5.80"BOARD LOCK, BOARD SIDE
4.80"SCREW LOCK, MATING SIDE
G: 5.80"BOARD LOCK, BOARD SIDE
5.80"SCREW LOCK, MATING SIDE

- ⑥ Contact Plating
S: Selective Gold
S1:Selective 3u" Gold
S2:Selective 5u" Gold
S3:Selective 10u" Gold
S4:Selective 15u" Gold
S5:Selective 30u" Gold
G0: Gold flash
G1: 3u" Gold over
G2: 5u" Gold over
G3: 10u" Gold over
G4: 15u" Gold over
G5: 30u" Gold over



Unless Otherwise specified tolerance
 X. ± 0.35 X.XX: ± 0.20
 X.X: ± 0.25 X.XXX: ± 0.15



ANTENK ELECTRONICS CO., LTD
[Http://www.antenk.com](http://www.antenk.com)
 E-mail:sales@antenk.com

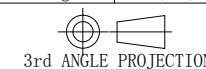
SCALE: As Shown	UNIT: mm
DRAW Lv Xun Hua	DATE 05/03/2019
CHECK BobYang	DATE 05/03/2019

TITLE: D-SUB High density PCB FEMALE MACHINE PIN(8.89mm FOOTPRINT)

DRAWING NO: MHDP01-FXXXX
 PRODUCT NO: MHDP01-FXXXX

△ CHANGE 6.5MM TO 4.8MM

25/09/2020



REV

DESCRIPTION

DATE