

SPECIFICATIONS:

- Voltage rating: 250V AC/DC
- Current rating: 3A AC/DC
- Withstanding Voltage: 1000V AC/minute
- Insulation resistance: 1000MΩ Min.
- Temperature range: -25°C To +85°C
- Contact resistance: 20mΩ Max.

Standards

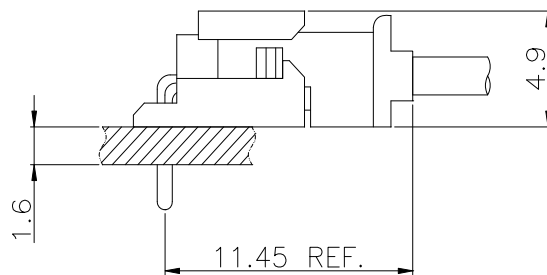
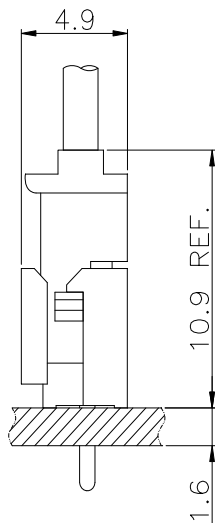
HSF



RoHS

Wire to Board

Assembly Layout



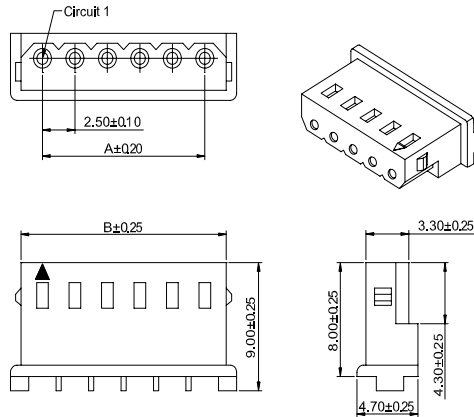
DIP TYPE

Connectors Expert Around You

2.5mm Pitch housing connector

HOUSING

- Part NO.: AH2505-xP
- Suitable: AT2505T series Terminal
- Mates with: AW2505 series Wafer
- Material: Nylon 66, UL94V-0
- Color: Beige



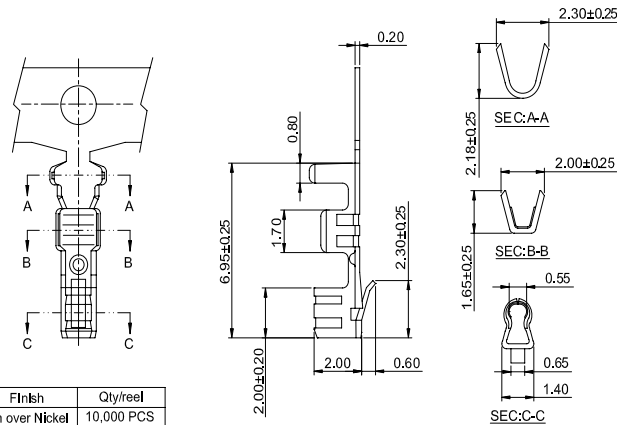
Ordering Information & Dimensions

PART NO.	Dimensions	
	A	B
AH2505-2P	2.50	5.80
AH2505-3P	5.00	8.30
AH2505-4P	7.50	10.80
AH2505-5P	10.00	13.30
AH2505-6P	12.50	15.80
AH2505-7P	15.00	18.30
AH2505-8P	17.50	20.80
AH2505-9P	20.00	23.30
AH2505-10P	22.50	25.80
AH2505-11P	25.00	28.30
AH2505-12P	27.50	30.80
AH2505-13P	30.00	33.30
AH2505-14P	32.50	35.80
AH2505-15P	35.00	38.30
AH2505-16P	37.00	40.80
AH2505-17P	39.50	43.30
AH2505-18P	42.00	45.80
AH2505-19P	44.50	48.30
AH2505-20P	47.00	50.80

2.5mm Pitch crimp terminal connector

TERMINAL

- Part NO.: AT2505T-xP
- Applicable wire: AWG#22-#28
- Material: Phosphor Bronze
- Finish: Tin Plated or Gold
- Used in AH2505 series Housing



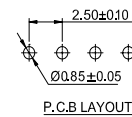
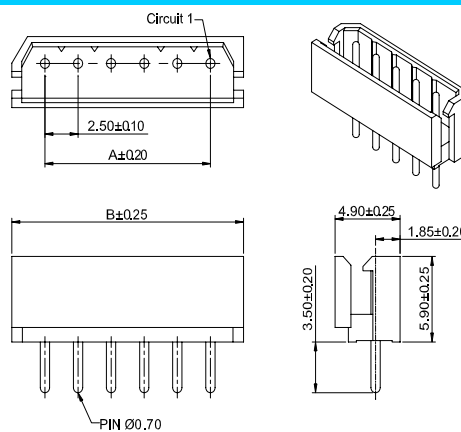
Ordering Information & Specifications:

Part NO	Wire Range	Insulation O.D.	Material	Finish	Qty/reel
AT2505T-TP	AWG#22-#28	1.90mm(max)	Phosphor Bronze	Tin over Nickel	10,000 PCS
AT2505T-GP	AWG#22-#28	1.90mm(max)	Phosphor Bronze	Gold over Nickel	10,000 PCS

2.5mm Pitch 180° wafer connector

WAFER

- Part NO.: AW2505V-xP
- Material: Pin: Brass/Tin over Nickel
- Insulator: Nylon 66, UL94V-0
- Mates with: AH2505 series Housing
- Color: Beige



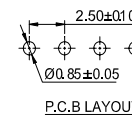
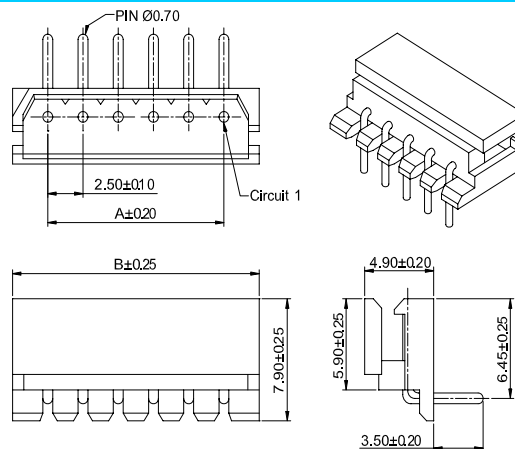
Ordering Information & Dimensions

PART NO.	Dimensions	
	AB	BC
AW2505V-2P	2.50	7.50
AW2505V-3P	5.00	10.00
AW2505V-4P	7.50	12.50
AW2505V-5P	10.00	15.00
AW2505V-6P	12.50	17.50
AW2505V-7P	15.00	20.00
AW2505V-8P	17.50	22.50
AW2505V-9P	20.00	25.00
AW2505V-10P	22.50	27.50
AW2505V-11P	25.00	30.00
AW2505V-12P	27.50	32.50
AW2505V-13P	30.00	35.00
AW2505V-14P	32.50	37.50
AW2505V-15P	35.00	40.00
AW2505V-16P	37.50	42.50
AW2505V-17P	40.00	45.00
AW2505V-18P	42.50	47.50
AW2505V-19P	45.00	50.00
AW2505V-20P	47.50	52.50

2.5mm Pitch 90° wafer connector

WAFER

- Part NO.: AW2505R-xP
- Material: Pin: Brass/Tin over Nickel
- Insulator: Nylon 66, UL94V-0
- Mates with: AH2505 series Housing
- Color: Beige



Ordering Information & Dimensions

PART NO.	Dimensions	
	AB	BC
AW2505R-2P	2.50	7.50
AW2505R-3P	5.00	10.00
AW2505R-4P	7.50	12.50
AW2505R-5P	10.00	15.00
AW2505R-6P	12.50	17.50
AW2505R-7P	15.00	20.00
AW2505R-8P	17.50	22.50
AW2505R-9P	20.00	25.00
AW2505R-10P	22.50	27.50
AW2505R-11P	25.00	30.00
AW2505R-12P	27.50	32.50
AW2505R-13P	30.00	35.00
AW2505R-14P	32.50	37.50
AW2505R-15P	35.00	40.00
AW2505R-16P	37.50	42.50
AW2505R-17P	40.00	45.00
AW2505R-18P	42.50	47.50
AW2505R-19P	45.00	50.00
AW2505R-20P	47.50	52.50

Wire to Board