

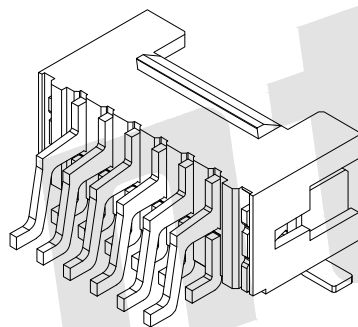
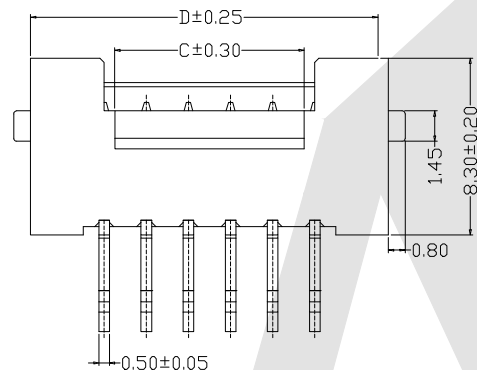
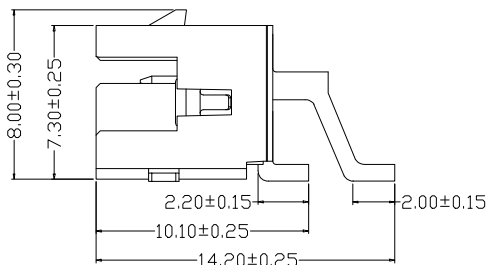
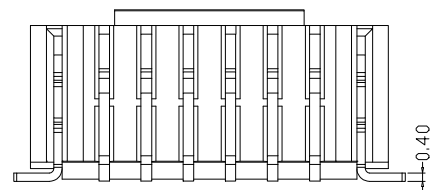
HSF



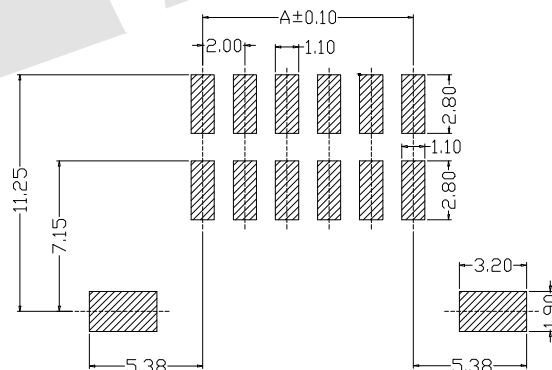
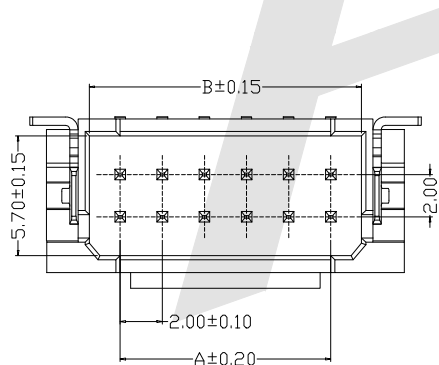
SPECIFICATIONS

- 1. Current Rating: 3A AC, DC
- 2. Voltage Rating: 250V AC, DC
- 3. Temperature Range: 25°C~+85°C
- 4. Contact Resistance: 20mΩ Max
- 5. Insulation Resistance: 1000MΩ Min
- 6. Withstanding Voltage: 800V AC/minute
- 7. Material :

Housing: LCP, UL94V-0
PIN: Brass, Tin-plated



Part No.	Dimension (mm)			
	A	B	C	D
AW2008RM-2*2P	2.00	4.90	3.00	9.00
AW2008RM-2*3P	4.00	6.90	3.00	11.00
AW2008RM-2*4P	6.00	8.90	3.00	13.00
AW2008RM-2*5P	8.00	10.90	5.00	15.00
AW2008RM-2*6P	10.00	12.90	7.00	17.00
AW2008RM-2*7P	12.00	14.90	9.00	19.00
AW2008RM-2*8P	14.00	16.90	11.00	21.00
AW2008RM-2*9P	16.00	18.90	13.00	23.00
AW2008RM-2*10P	18.00	20.90	15.00	25.00
AW2008RM-2*11P	20.00	22.90	17.00	27.00
AW2008RM-2*12P	22.00	24.90	19.00	29.00
AW2008RM-2*13P	24.00	26.90	21.00	31.00
AW2008RM-2*14P	26.00	28.90	23.00	33.00
AW2008RM-2*18P	34.00	36.90	31.00	41.00
AW2008RM-2*20P	38.00	40.90	35.00	45.00



PCB LAYOUT

Unless Otherwise specified tolerance
X.±0.35 X.XX: ±0.20
X.X: ±0.25 X.XXX: ±0.15

SCALE: As Shown UNIT: mm
DRAW ZLA DATE 06/13/2023
CHECK BobYang DATE 06/13/2023

VER./版本号 3rd ANGLE PROJECTION

Antenk ANTENK ELECTRONICS CO., LTD
Http://www.antenk.com
E-mail: sales@antenk.com

TITLE: 2.0mm Pitch Dual Row 90° SMT Wafer Connector

DRAWING NO: AW2008RM-2xNP

PRODUCT NO: AW2008RM-2xNP

MK/标记	DESCRIPTION/修订内容	DATE/日期(M/D/Y)					
-------	------------------	----------------	--	--	--	--	--