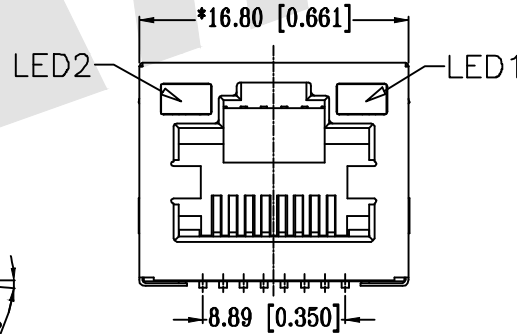
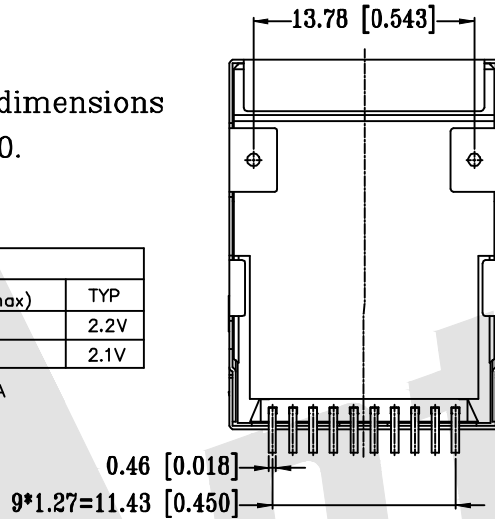
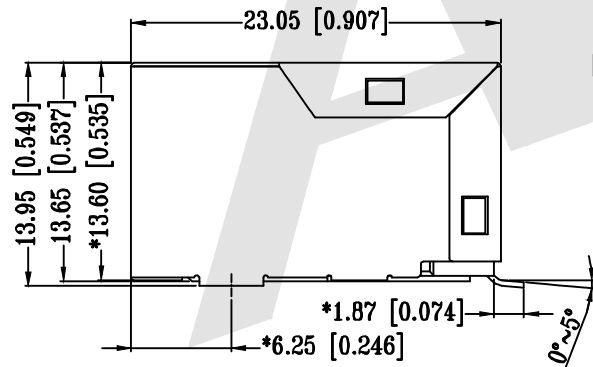




Unless otherwise specified, all dimensions tolerances is  $\pm 0.254 / 0.010$ .

LED SPECIFICATION			
STANDARD LED	WAVELENGTH	Forward V(max)	TYP
GREEN	565nm	2.4V	2.2V
YELLOW	590nm	2.5V	2.1V

\*WITH A FORWARD CURRENT OF 20mA



### Notes:

- CONNECTOR MATERIAL:  
HOUSING: FR52G30BL NC010 GREEN 369C UL94 V-0  
INSERTER: FR52G30BL NC010 GREEN 369C UL94 V-0  
SHIELD: Brass  
SHIELD PLATING: NICKEL  
CONTACT: COOPER ALLOY  
CONTACT PLATING: SELECTIVE GOLD, 6 MICRO-INCHS MIN IN CONTACT AREA
- PIN NOT ELECTRICALLY CONNECTED MAYBE OMITTED  
SEE ELECTRICAL DRAWING FOR OMITTED PINS
- RJ45 CAVITIES CONFORM TO FCC RULES AND REGULATION PART 68.
- THE PART IS RECOMMENDED FOR IR REFLOW PROCESS PEAK SOLDERING TEMPERATURE IS 265° C MAX, 40 SECS MAX
- OPERATING TEMPERATURE T=0° C TO +70° C.
- STORAGE TEMPERATURE T=-40° C TO +85° C.
- ALL CRITICAL DIMENSIONS WITH "\*"

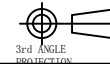
Series number: 001

Unless Otherwise specified tolerance  
X.  $\pm 0.35$  X. XX:  $\pm 0.20$   
X. X:  $\pm 0.25$  X. XXX:  $\pm 0.15$

ANTENK ELECTRONICS CO., LTD  
Http://www.antenk.com  
E-mail:sales@antenk.com

SCALE: As Shown UNIT: mm  
DRAW Wu Sai DATE 22/03/2018  
CHECK BobYang DATE 22/03/2018

TITLE:  
RJ45 ICM(10/100 Base-T 1 Port)



DRAWING NO: ATRT-8-A-XX-001  
PRODUCT NO: ATRT-8-A-XX-001

REV	DESCRIPTION	DATE

HSF

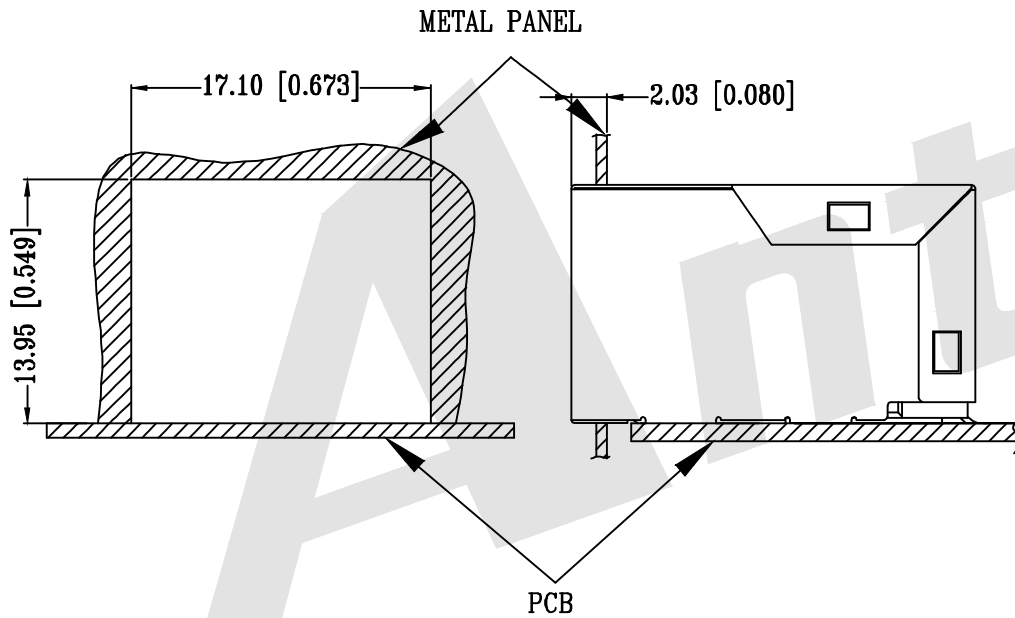
RoHS

UNIT: mm / inch

Tolerances: ±0.10 / 0.004

Order code:

ATRT — 8 — A — X — X — 001  
 (1) (2) (3) (4) (5)



(1)Type of product code

8	RJ45 SMD TYPE
---	---------------

(2)Number of contact ports

A	RJ45 1*1
---	----------

(3)Product dimension definition

A	With LED W/O EMI
G	Without LED without EMI
I	Without LED unshield
J	With LED unshield

(4)Plating product definition

G0	Gold flash
G1	3U" Gold
G2	6U" Gold
G3	10U" Gold
G4	15U" Gold
G5	30U" Gold
SN	Tin

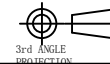
(5)Series number: 001

Unless Otherwise specified tolerance  
 X. ±0.35 X.XX: ±0.20  
 X.X: ±0.25 X.XXX: ±0.15

**Antenk** ANTENK ELECTRONICS CO.,LTD  
 Http://www.antenk.com  
 E-mail:sales@antenk.com

SCALE: As Shown UNIT: mm  
 DRAW Wu Sai DATE 22/03/2018  
 CHECK BobYang DATE 22/03/2018

TITLE:  
 RJ45 ICM(10/100 Base-T 1 Port)



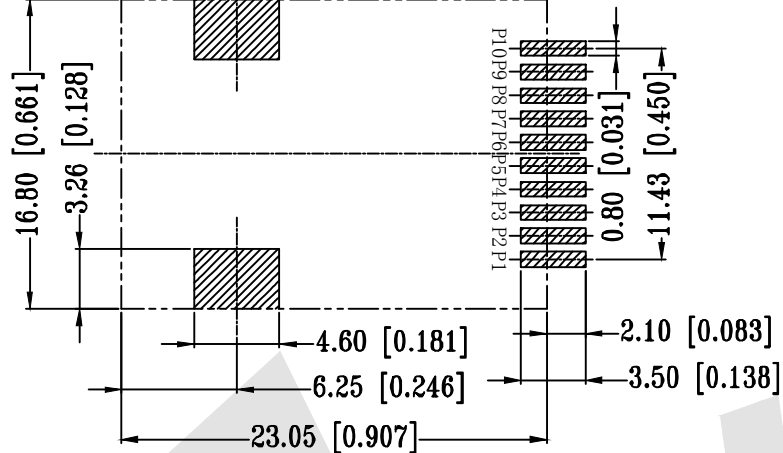
DRAWING NO: ATRT-8-A-XX-001  
 PRODUCT NO: ATRT-8-A-XX-001

REV	DESCRIPTION	DATE

1 2 3 4 5 6 7 8

HSF

RoHS

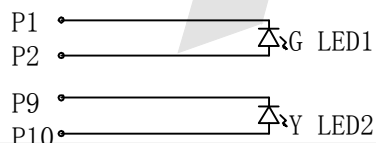
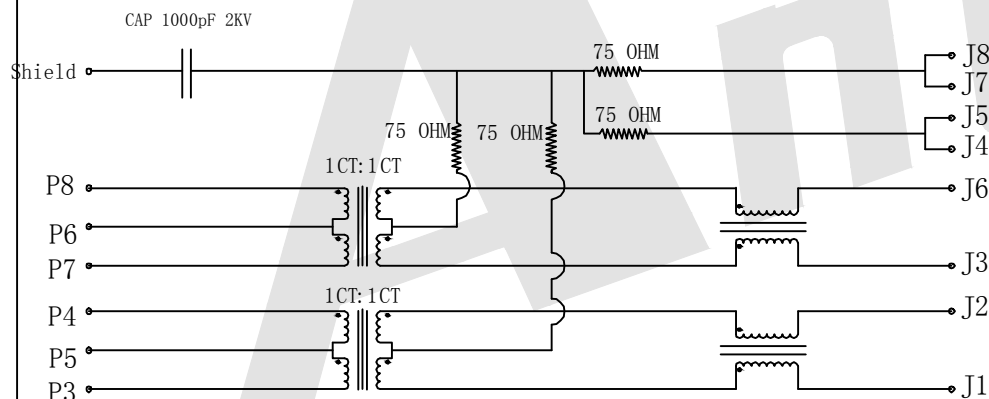


UNIT: mm / inch  
Tolerances: ±0.10 / 0.004

Electronical Specifications:

- 1 Turn Ratio @100KHz: (P3~P4):(J1~J2) = 1:1±5%  
(P7~P8):(J3~J6) = 1:1±5%
- 2 Primary Inductance: 350uH MIN @100KHZ,  
0.1V 8mA DC BIAS
- 3 DC Resistance:(J1~J2):(J3~J6) 1.2 OHMS MAX
- 4 Insertion Loss: 1-100MHz -1.2dB MAX
- 5 Return Loss: 1-30MHz -16dB MIN  
30-60MHz -12dB MIN  
60-80MHz -10dB MIN
- 6 CROSS TALK: 1-100MHz -30dB MIN
- 7 COMMON TO COMMON MODE ATTENUATION:  
1-100MHz -30dB MIN
- 8 Isolation: PHY Side to Line Side: 1500VAC or 2250VDC

Series number: 001



Pin	Yellow		Green
P9	-	P1	-
P10	+	P2	+

Unless Otherwise specified tolerance  
X. ±0.35 X.XX: ±0.20  
X.X: ±0.25 X.XXX: ±0.15

**Antenk** ANTENK ELECTRONICS CO.,LTD  
Http://www.antenk.com  
E-mail:sales@antenk.com

SCALE: As Shown UNIT: mm  
DRAW Wu Sai DATE 22/03/2018  
CHECK BobYang DATE 22/03/2018

TITLE:  
RJ45 ICM(10/100 Base-T 1 Port)  
DRAWING NO: ATRT-8-A-XX-001  
PRODUCT NO: ATRT-8-A-XX-001



REV	DESCRIPTION	DATE
-----	-------------	------

1 2 3 4 5 6 7 8