



SPECIFICATION

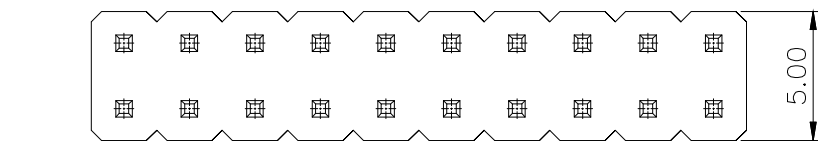
Current Rating: 3 Amp
 Insulation Resistance: 1000M ohms min
 Contact Resistance: 20M ohms max
 Dielectric Withstanding: AC500V
 Operating Temperature: -40°C to +105°C
 Contact Material: Brass
 Insulator Material: Polyester,UL 94V-0

Ordering Code:

PHES13 - X - X - D - A - B - X - X - X

① ② ③ ④ ⑤ ⑥ ⑦ ⑧

- ① Series No:
- ② No. of Contacts
01 To 40
- ③ Contact Plating:
G0:Gold flash S0:Selective
G1:3U" Gold S1:Selective 3u"
G2:5u" Gold S2:Selective 5u"
G3:10u" Gold S3:Selective 10u"
G4:15u" Gold S4:Selective 15u"
G5:30u" Gold S5:Selective 30u"
SN:Tin
- ④ Connector Type
D: Dual
- ⑤ Pin Length:
A:0520=5.20mm
B:0330=3.30mm
Please mark the desired length in the A/B
- ⑥ Insulator Material
A:PBT
B:PA6T
C:LCP
D:PA46
E:PA9T
- ⑦ Packing:
A:Tray
B:Bag
T:Tube
U:Tube+CAP
R:Tape&Reel
W:Tape&Reel+CAP
- ⑧ Plastic High
H1=2.54mm
H2=2.00mm
H3=1.50mm

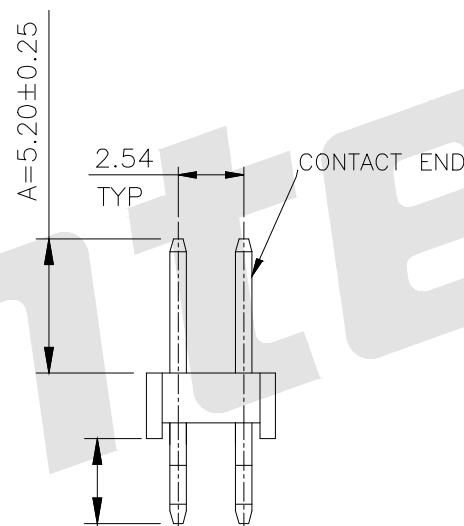


(2.54 X No. OF POSITIONS) ± 0.3



(2.54 X No. OF CONTACTS - 2.54) ± 0.2

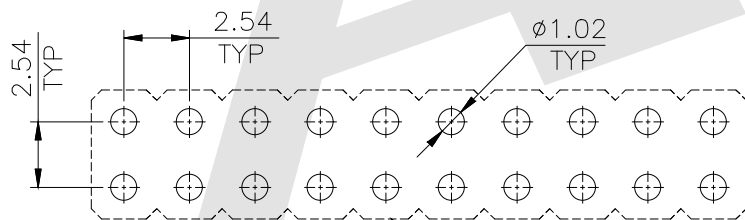
2.54(PITCH)
TYP



A=5.20±0.25

2.54
TYP CONTACT END

B=3.30±0.25



2.54
TYP

∅1.02
TYP

2.54

1.38±.54

CONNECTOR OUTLINE

TOLERANCE: ±0.05, THICKNESS: 1.6mm
 RECOMMENDED PCB LAYOUT
 (TOP VIEW)

Standard IE P/N :

PHES13-20-G0-D-0520-0330-A-B-H1

A	B	Unless Otherwise specified tolerance	
		X. ±0.35	X.XX: ±0.20
		X.X: ±0.25	X.XXX: ±0.15
Optional		SCALE: As Shown	UNIT: mm
		DRAW TMX	DATE 11/04/2022
		CHECK BobYang	DATE 11/04/2022
07/15/2022			
DATE			

Antenk® ANTENK ELECTRONICS CO.,LTD
[Http://www.antenk.com](http://www.antenk.com)
 E-mail:sales@antenk.com

TITLE:
2.54mm Pin header straight dual row press-fit Type

DRAWING NO: **PHES13-X-X-D-0520-0330-X-X-X**

PRODUCT NO: **PHES13-X-X-D-0520-0330-X-X-X**

① Change PHES08 to **PHES13**

REV DESCRIPTION