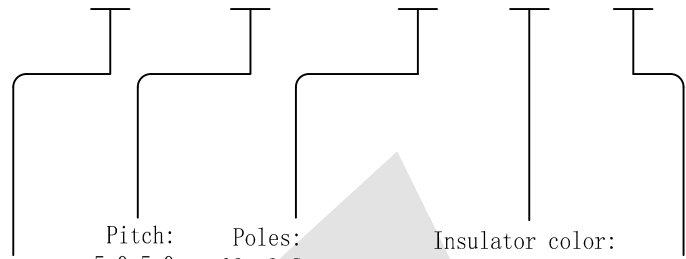


HSF

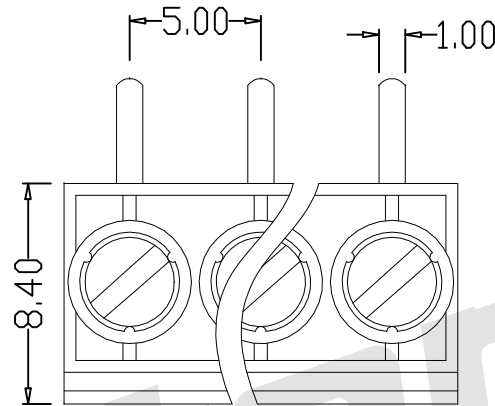


AT167R - 5.0 - XX - X - A



Pitch: 5.0:5.0mm
 Poles: 02: 2 Contacts
 03: 3 Contacts

 24: 24 Contacts
 Insulator color: A:Green
 B:Blue
 C:Black
 G:Gray
 O:Orange
 A: Series No.



SPECIFICATION

Voltage Rating (额定电压): 300V

Current Rating(额定电流): 15A

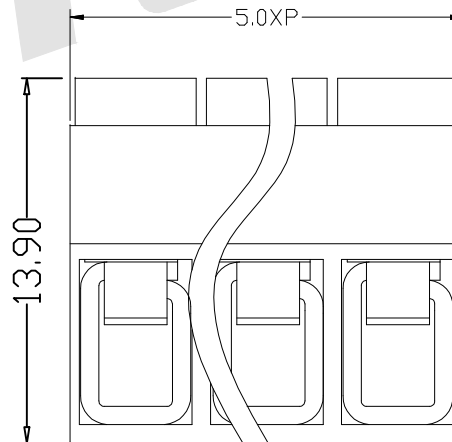
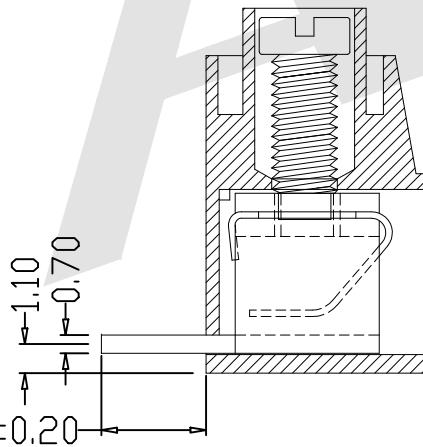
Wire range(使用线径): 22-12AWG 2.5mm²

Housing(塑件): PA66+23%GF, UL94V-0

Terminal(端子): Brass, Tin-Plated(黄铜, 镀锡)

Screw(螺丝): Steel, M2.5 Ni-Plated(钢, 镀镍)

Torque(扭力): 0.4N.m



Unless Otherwise specified tolerance
 X. ±0.35 X.XX: ±0.20
 X.X: ±0.25 X.XXX: ±0.15

SCALE: As Shown UNIT: mm
 DRAW Wu Sai DATE 22/03/2018
 CHECK BobYang DATE 22/03/2018



Antenk ANTENK ELECTRONICS CO.,LTD
[Http://www.antenk.com](http://www.antenk.com)
 E-mail:sales@antenk.com

TITLE: PCB Screw Terminal Block
 Pitch:5.0

DRAWING NO: AT167R-5.0XXX-A

PRODUCT NO: AT167R-5.0XXX-A

Added A to the end of this code number

REV	DESCRIPTION	DATE