



NOTES:

- 1. MATERIAL: ANNEALED SPRING STEEL, T=0.25mm.
- 2. PLATING:
80U" Min TIN PLATED OVERALL
50U" Min NICKEL PLATED UNDER OVERALL

Order code:

BS - M - SN - X - 5230
 ① ② ③ ④ ⑤

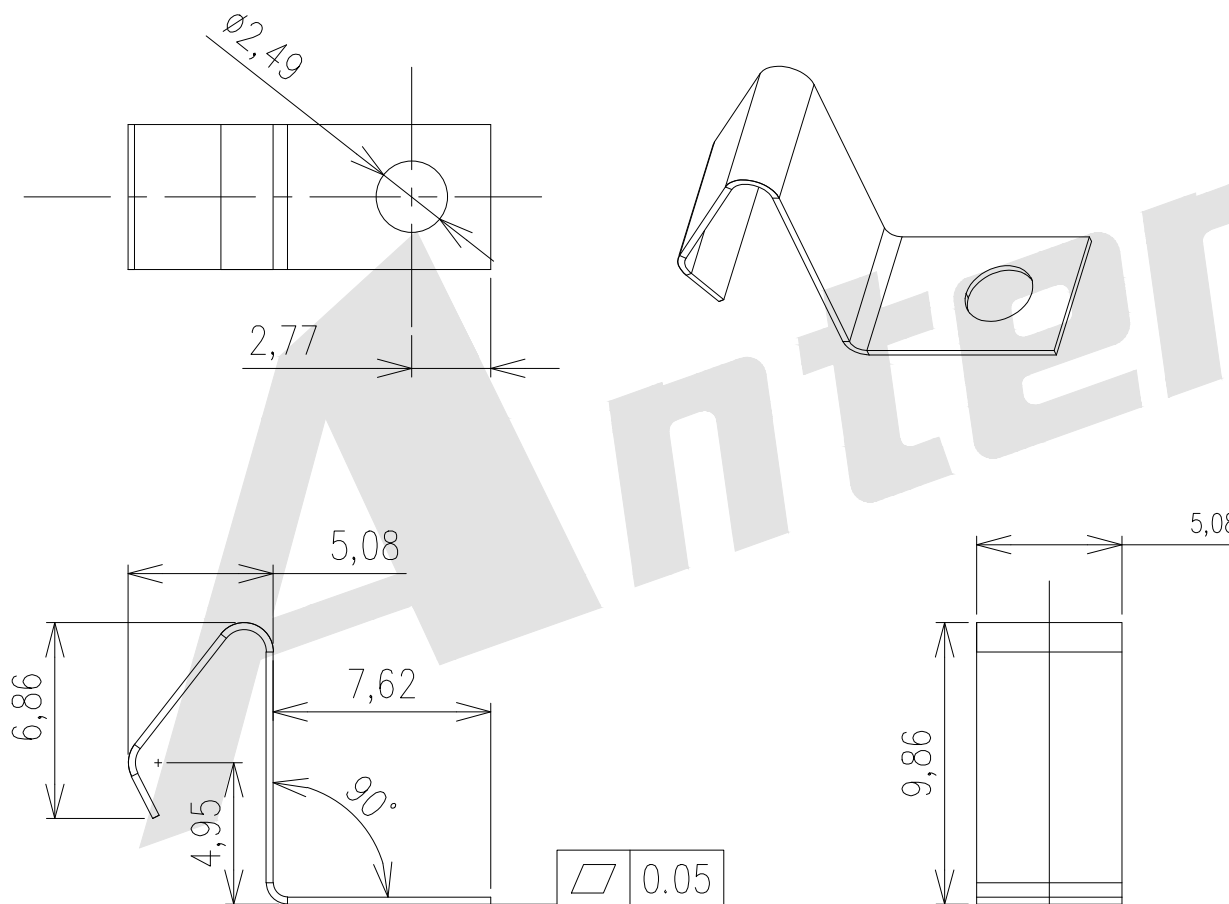
- ① BS: Battery Contacts
 - ② Appearance for the product
- M: SMT TYPE

- ③ Contact Plating
- SI: NICKEL PLATE
SN: Tin

- G0: Gold flash
- G1: 3u" Gold
- G2: 5u" Gold
- G3: 10u" Gold
- G4: 15u" Gold
- G5: 30u" Gold

- ④ Packing method
- A: Tray packing
R: Tape & reel packing
B: Bag packing

- ⑤ Product number
- 5230: 5230 STYLE



Overall flatness of bottom surface of shell.

All bending and forming shall be adjustable.

Unless Otherwise specified tolerance
 X. ± 0.30 X. XX: ± 0.15
 X. X: ± 0.20 X. XXX: ± 0.05

SCALE: As Shown	UNIT: mm
DRAW Tang Ming Xin	DATE 9/18/2021
CHECK BobYang	DATE 9/18/2021

Antenk® ANTENK ELECTRONICS CO., LTD
[Http://www.antenk.com](http://www.antenk.com)
 E-mail:sales@antenk.com

TITLE: Cell Battery Contacts 5230

DRAWING NO: BS - M - SI - X - 5230

PRODUCT NO: BS - M - SI - X - 5230

REV	DESCRIPTION	DATE
1		
2		
3		
4		
5		

