

HSF



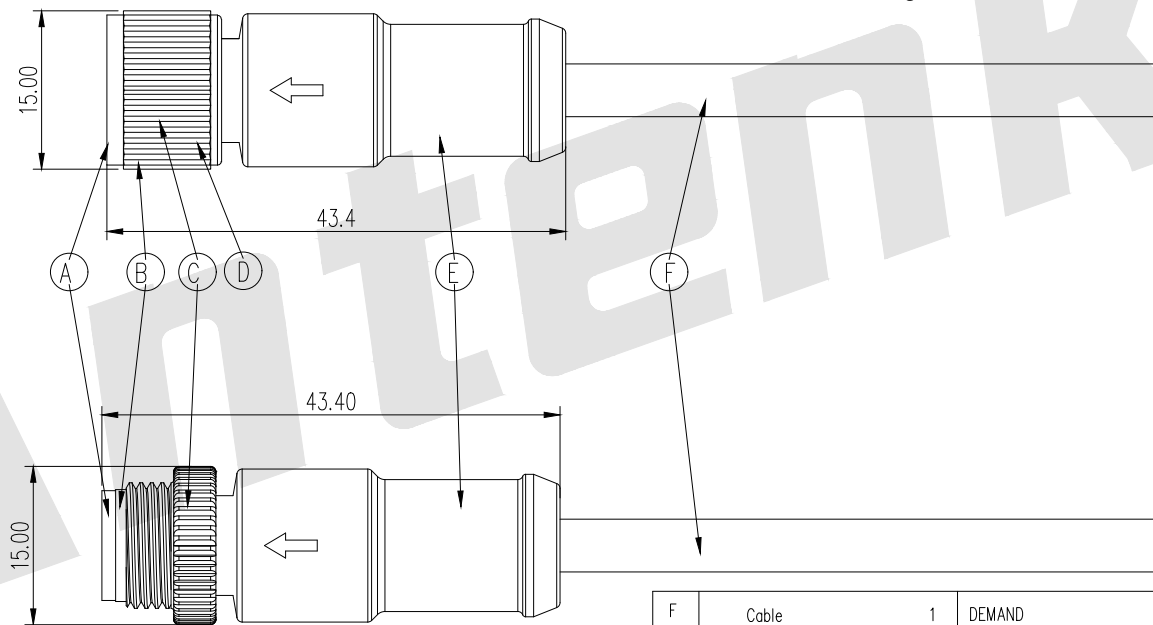
RoHS

Order Code:

M12A - X - XP - X - 001
 ① ② ③ ④ ⑤

	2 Pin	3 Pin	4 Pin	5 Pin	6 Pin	7 Pin	8 Pin
A-CODE							
B-CODE							
D-CODE							

- ① Type of M series : M12A
- ② Code Option: A B D
- ③ NO. of PINS: 02~08
- ④ Gender option: F: Female M: Male
- ⑤ Series number: 001



F	Cable	1	DEMAND
E	Over Mold	1	PVC(UV) BLACK
D	O RING	1	SILIGONE RED
C	NUT	1	NICKL PLATED BRASS
B	male PIN	/	GOLD PLATED BRASS
	Female PIN	/	PHOSPHOR BRONZE GOLD PLATING OVER NICKEL PLATING
A	BODY	1	PA66+GF BLACK
Item	PART NAME	QTY	MATERIAL /FINISH

Engagement force	≤50N	Rated volage	2-5pin: 60v DC 6-8pin: 30V DC
Isengagement force	≥5N	Rated current	2-5pin: 4A 6-8pin: 2A
echanical lifespan	≥500	Insulation resistance	≥1000 MΩ
IP rating	IP67/IP68	Contace resistance	≤10mΩ
Flammability	UL94 v-0	Operation Temperature	-40 T0+105℃

Unless Otherwise specified tolerance
 X.±0.35 X.XX:±0.20
 X.X:±0.25 X.XXX:±0.15

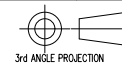
SCALE: As Shown	UNIT: mm
DRAW ZLA	DATE 24/05/2022
CHECK BobYang	DATE 24/05/2022

Antenk® ANTENK ELECTRONICS CO.,LTD
 Http://www.antenk.com
 E-mail:sales@antenk.com

TITLE:
M12A 2~8P Vertical Metal nuts Waterproof Connector

DRAWING NO: M12A-X-XP-X-001

PRODUCT NO: M12A-X-XP-X-001



REV	DESCRIPTION	DATE