

HSF

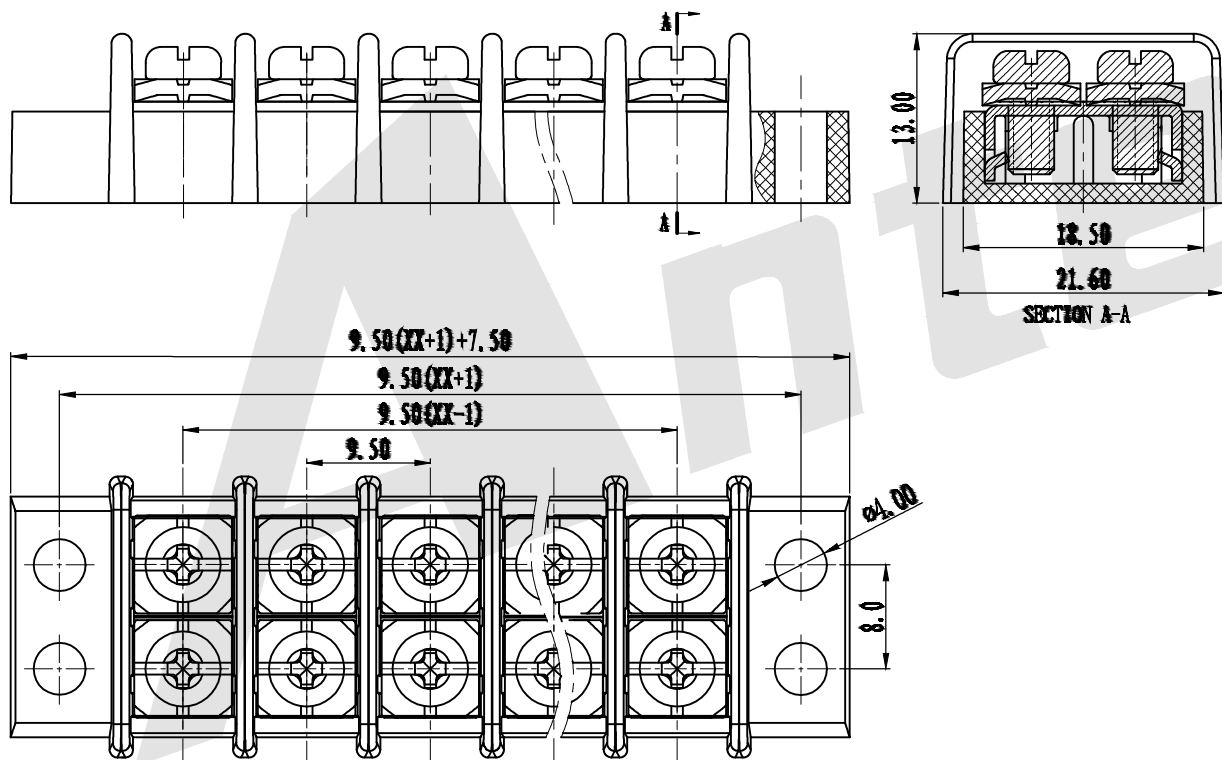
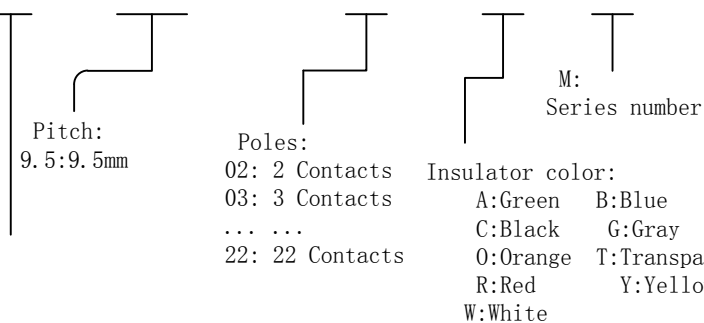


SPECIFICATION

Standard(参考标准): UL IEC  
 Voltage Rating(额定电压): 300V 750V  
 Current Rating(额定电流): 20A 32A  
 Wire range(使用线径): 22-12AWG 4.0mm<sup>2</sup>  
 Withstanding voltage(耐电压): AC2000V/1Min  
 Insulation resistance(绝缘电阻): 500MΩ/DC500V  
 Temp Rang(温度范围): -40° C ~ +105° C  
 Max Torque(最大锁紧力矩): 0.8Nm(7.0lb. in)  
 Housing(塑件): PA66, UL94V-0  
 Screw(螺丝): Steel, M3.5 Ni plated  
 Terminal(端子): Brass 0.8t, Tin plated  
 Pitch(间距): 9.5mm  
 Poles(极数): 2P-24P

Ordering Code:

AT848 - 9.5 - XX - X - M

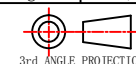


Unless Otherwise specified tolerance  
 X. ±0.35 X.XX: ±0.20  
 X.X: ±0.25 X.XXX: ±0.15

**Antenk**® ANTENK ELECTRONICS CO., LTD  
 Http://www.antenk.com  
 E-mail:sales@antenk.com

SCALE: As Shown	UNIT: mm
DRAW Wu Sai	DATE 22/03/2018
CHECK BobYang	DATE 22/03/2018

TITLE:  
Barrier Terminal Block Pitch:9.5mm



DRAWING NO: AT848-9.5XXX-M  
 PRODUCT NO: AT848-9.5XXX-M

REV	DESCRIPTION	DATE
1		
2		
3		
4		
5		