



NOTES:

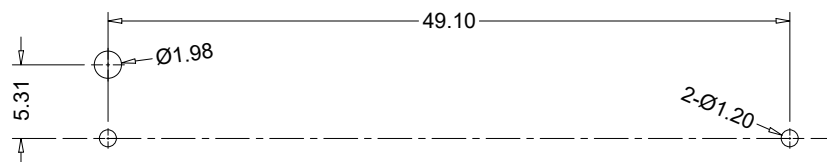
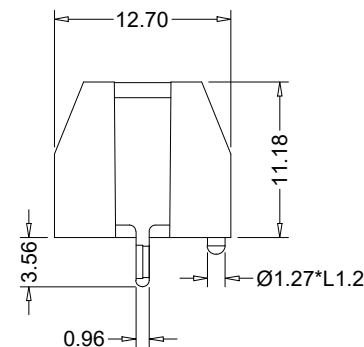
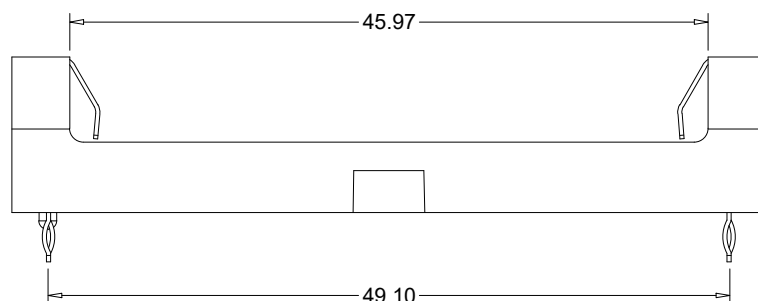
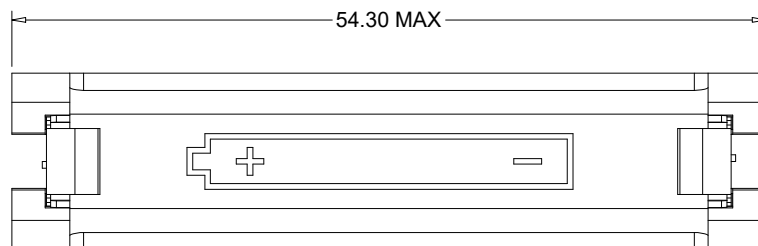
- 1、BASE:
MATERIAL:HEAT RESISTANCE NYLON, BLACK.
- 2、CONTACT:
MATERIAL:0.30 THK STAINLESS STEEL
FINISH:TIN NICKEL PLATE.

Ordering Code:

BBC - S - SN - A - 1AAA-021

① ② ③ ④ ⑤

- ① BBC:Battery Holders
- ② Apperance for the product
S:180° TYPE
- ③ Contact Plating
NI: Nickel SN: Tin
G0:Gold flash G1:3U"Gold
G2:5U"Gold G3:10U"Gold
G4:15U"Gold G5:30U"Gold
- ④ Packing Method
A:Tray
B:BAG
- ⑤ Product Number:
1AAA-021



MOUNTING PAD LAYOUT

Unless Otherwise specified tolerance
 X. ±0.35 X.XX:±0.20
 X.X:±0.25 X.XXX:±0.15

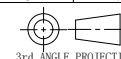
Antenk® ANTENK ELECTRONICS CO.,LTD
 Http://www.antenk.com
 E-mail:sales@antenk.com

SCALE: As Shown	UNIT: mm
DRAW GONG FENG	DATE 20/01/2022
CHECK BobYang	DATE 20/01/2022

TITLE:
SINGLE AAA BATTERY HOLDER THM

DRAWING NO:BBC-S-SN-A-1AAA-021

PRODUCT NO:BBC-S-SN-A-1AAA-021



REV	DESCRIPTION	DATE
1		
2		
3		
4		
5		