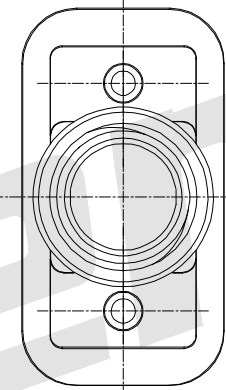
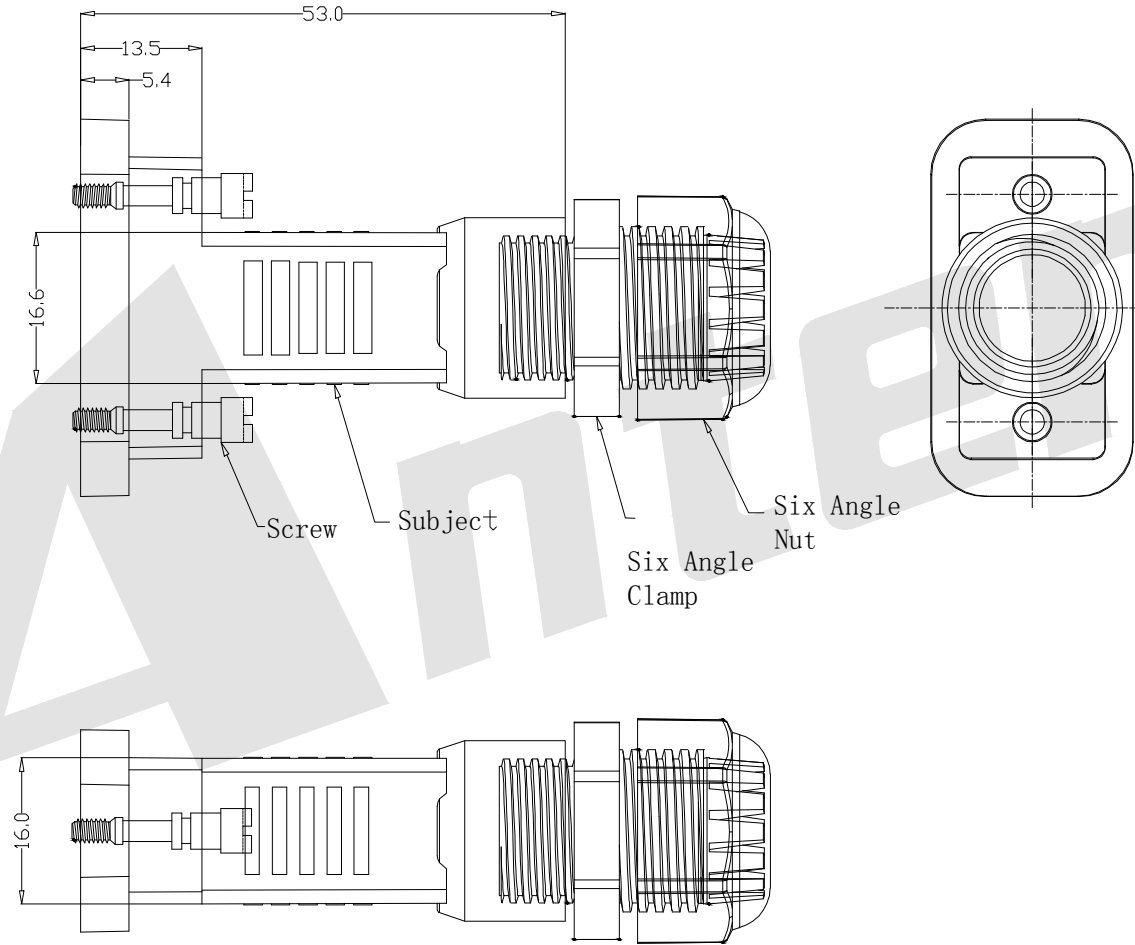
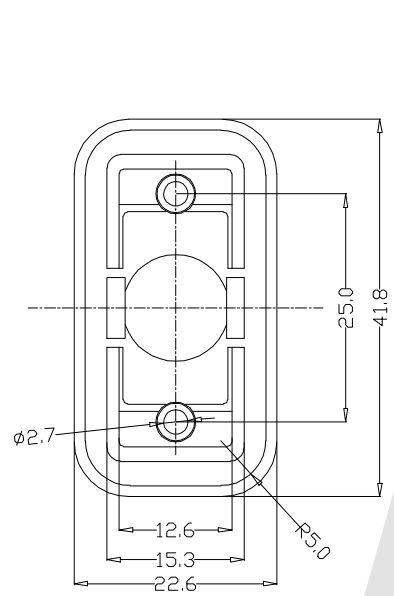


HSF



ROHS



Material:
Plastic: PA66 Black
No Surface Deformation

ORDERING CODE:

DBP01 - 15 - X
① ② ③

- ① Series No:
Plastic Waterproof Connector
- ② CONTACT NUMBER:
09=09PIN
- ③ Color Code:
B:Black

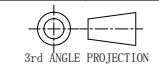
Unless Otherwise specified tolerance
X. ±0.35 X.XX: ±0.20
X.X: ±0.25 X.XXX: ±0.15

SCALE: As Shown	UNIT: mm
DRAW Wu Feng Rong	DATE 13/04/2020
CHECK BobYang	DATE 13/04/2020

Antenk® ANTENK ELECTRONICS CO., LTD
Http://www.antenk.com
E-mail:sales@antenk.com

TITLE:
DB9 Waterproof Connector

DRAWING NO: WDBP01-09B
PRODUCT NO: WDBP01-09B



REV	DESCRIPTION	DATE