

HSF



ROHS

SPECIFICATIONS

- Poles: 2-15
- Applicable: AWG#30-#22
- Voltage rating: 250V AC, DC
- Current rating: 3A AC, DC
- Withstanding Voltage: 800V AC/minute
- Temperature range: -25°C~+85°C
- Insulation resistance: 1000MΩ min
- Contact resistance: 0.02Ω

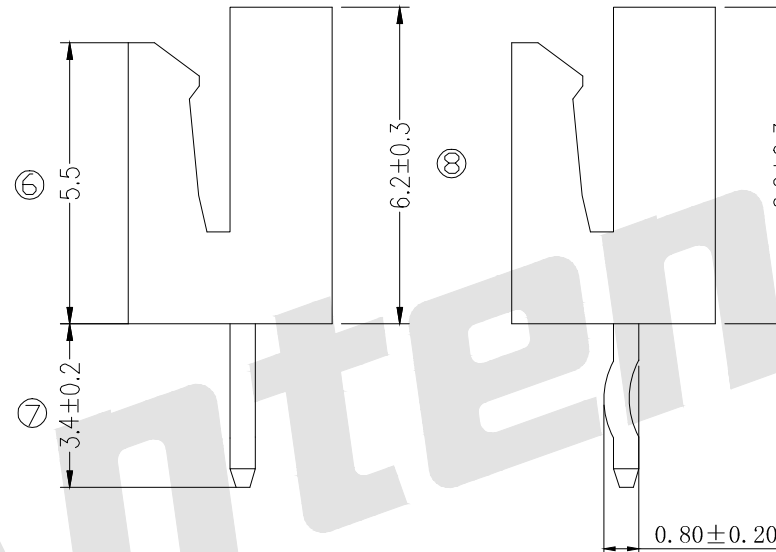
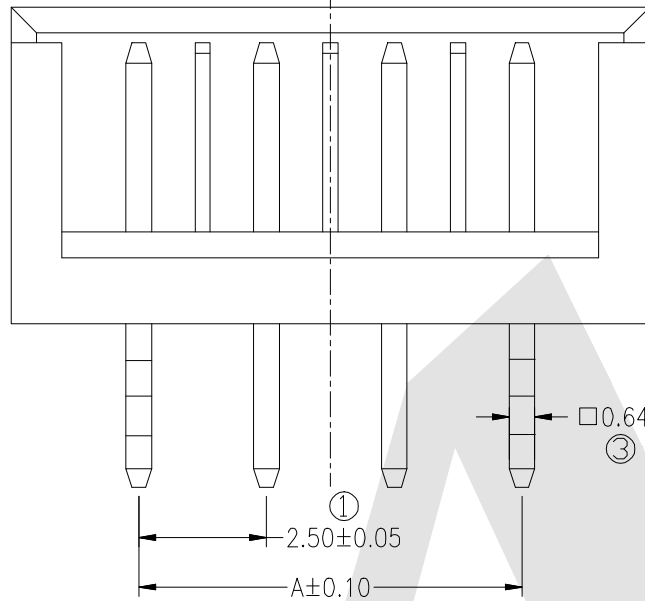
WAFER

- Part NO: AW2502V-xP-X ⚠
- Material: Pin: Brass/Tin over Nickel
Insulator: PA66, UL94V-0
- PACKAGE: BAG Package

Ordering Information & Dimensions

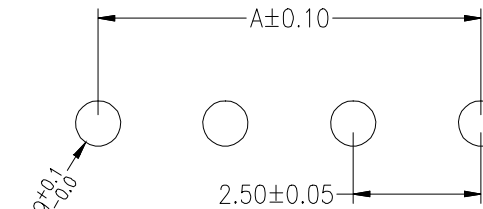
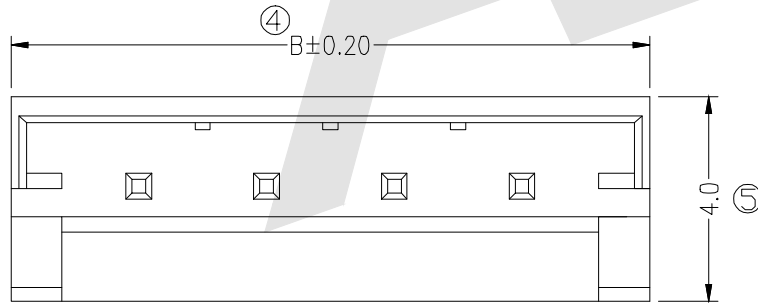
PART NO.	Dimensions	
	A	B
AW2502V-2P-x	2.50	7.50
AW2502V-3P-x	5.00	10.00
AW2502V-4P-x	7.50	12.50
AW2502V-5P-x	10.00	15.00
AW2502V-6P-x	12.50	17.50
AW2502V-7P-x	15.00	20.00
AW2502V-8P-x	17.50	22.50
AW2502V-9P-x	20.00	25.00
AW2502V-10P-x	22.50	27.50
AW2502V-11P-x	25.00	30.00
AW2502V-12P-x	27.50	32.50
AW2502V-13P-x	30.00	35.00
AW2502V-14P-x	32.50	37.50
AW2502V-15P-x	35.00	40.00

Unit: mm

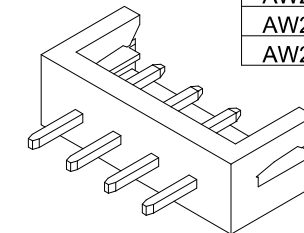


A: TYPE1

B: TYPE2



PCB LAYOUT



AW2502V-xP-x

⚠ PIN TYPE:
A: TYPE1 B: TYPE2

Unless otherwise specified tolerance
 X. ±0.35 X.XX: ±0.20
 X.X: ±0.25 X.XXX: ±0.15



ANTENK ELECTRONICS CO., LTD
[Http://www.antenk.com](http://www.antenk.com)
 E-mail: sales@antenk.com

SCALE: As Shown	UNIT: mm
DRAW Lv Xun Hua	DATE 22/04/2019
CHECK Bob Yang	DATE 22/04/2019

TITLE: 2.5mm pitch 180° Wafer With Boss Connector Series

DRAWING NO: AW2502V-xP-x

PRODUCT NO: AW2502V-xP-x

⚠ Update AW2502V-xP to AW2502V-xP-x

07/06/2021



3rd ANGLE PROJECTION

REV	DESCRIPTION	DATE