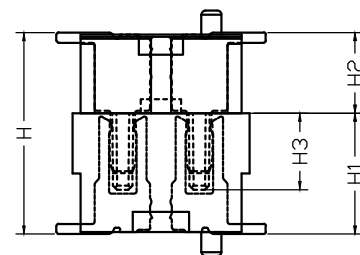
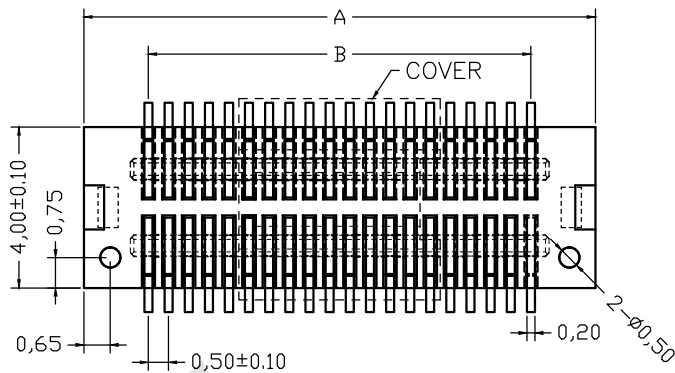
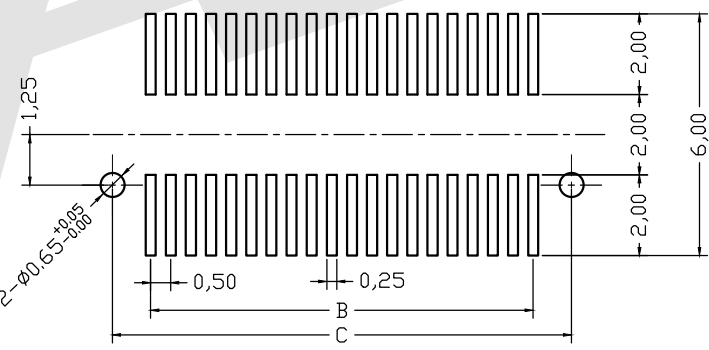
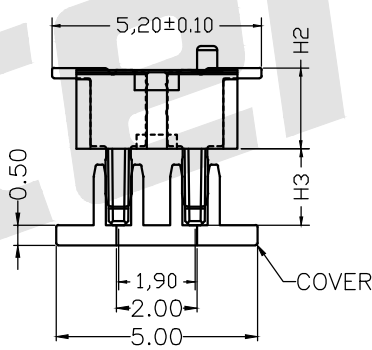
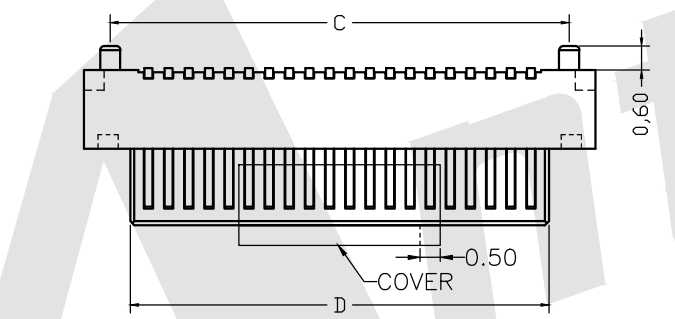




NO. of Contacts	Dimension(mm)			
	A±0.10	B±0.10	C±0.10	D±0.10
8	4.70	1.50	3.40	2.40
10	5.20	2.00	3.90	2.90
12	5.70	2.50	4.40	3.40
14	6.20	3.00	4.90	3.90
16	6.70	3.50	5.40	4.40
18	7.20	4.00	5.90	4.90
20	7.70	4.50	6.40	5.40
22	8.20	5.00	6.90	5.90
24	8.70	5.50	7.40	6.40
26	9.20	6.00	7.90	6.90
28	9.70	6.50	8.40	7.40
30	10.20	7.00	8.90	7.90
32	10.70	7.50	9.40	8.40
34	11.20	8.00	9.90	8.90
36	11.70	8.50	10.40	9.40
38	12.20	9.00	10.90	9.90
40	12.70	9.50	11.40	10.40
42	13.20	10.00	11.90	10.90
44	13.70	10.50	12.40	11.40
46	14.20	11.00	12.90	11.90
48	14.70	11.50	13.40	12.40
50	15.20	12.00	13.90	12.90
52	15.70	12.50	14.40	13.40
54	16.20	13.00	14.90	13.90
56	16.70	13.50	15.40	14.40
58	17.20	14.00	15.90	14.90
60	17.70	14.50	16.40	15.40
62	18.20	15.00	16.90	15.90
64	18.70	15.50	17.40	16.40
66	19.20	16.00	17.90	16.90
68	19.70	16.50	18.40	17.40
70	20.20	17.00	18.90	17.90
72	20.70	17.50	19.40	18.40
74	21.20	18.00	19.90	18.90
76	21.70	18.50	20.40	19.40
78	22.20	19.00	20.90	19.90
80	22.70	19.50	21.40	20.40
82	23.20	20.00	21.90	20.90
84	23.70	20.50	22.40	21.40
86	24.20	21.00	22.90	21.90
88	24.70	21.50	23.40	22.40
90	25.20	22.00	23.90	22.90
92	25.70	22.50	24.40	23.40
94	26.20	23.00	24.90	23.90
96	26.70	23.50	25.40	24.40
98	27.20	24.00	25.90	24.90
100	27.70	24.50	26.40	25.40



Mating section



P.C.B PATTEN

Electrical:
 Vlotag Rating:50V AC(rms)/DC
 Current Rating:0.5A AC(rms)/DC
 Contact Resistance:50mΩ Max
 Insulation Resistance:100MΩ min
 Dielectric Withstanding Voltage:200V AC r.m.s
 Operating Temperature:- 30°C~ +80°C
 Materials
 Housing:High Temperature Plastic UL94V-0
 Terminal:Copper Alloy
 Material:PA9T
 Contact:phosphor Bronae,Gold Plating;

Ordering Code:
 BB0.5 - M - X - X - X - X - 04
 ① ② ③ ④ ⑤ ⑥ ⑦

- ① Series NO: 0.5mm Board to Board connector
- ② M:Male F:Female
- ③ mating Height: 3.0=3.00mm, 3.5=3.50mm, 4.0=4.00mm, 4.5=4.50mm, 5.0=5.00mm, 5.5=5.50mm, 6.0=6.00mm, 6.5=6.50mm
- ④ NO. of contacts: see table For example 24:24poles
- ⑤ Contact Plating: G0: Gold flash, G1: 3u" Gold, G2: 5u" Gold, G3: 10u" Gold, G4: 15u" Gold, G5: 30u" Gold, SN: Tin
- ⑥ Packing: T:Tube A:Tray, B:Bag U:Tube+CAP, R:tape&Reel, W:tape&Reel+CAP
- ⑦ serial number: 04

High photosynthesis (H)	The female seat height (H1)	The male seat height (H2)	Insertion height (H3)
3.0	2.2	0.8	1.6
3.5	2.2	1.3	1.6
4.0	3.0	1.0	1.9
4.5	3.5	1.0	1.9
5.0	3.0/4.0	2.0/1.0	1.9
5.5	3.5/4.5	2.0/1.0	1.9
6.0	4.0	2.0	1.9
6.5	4.5	2.0	1.9

Unless Otherwise specified tolerance

X. ±0.35 X.XX: ±0.20
 X.X: ±0.25 X.XXX: ±0.15

SCALE: As Shown	UNIT: mm
DRAW Mo Guo Xuan	DATE 12/11/2018
CHECK BobYang	DATE 12/11/2018

Antenk ANTENK ELECTRONICS CO., LTD
 Http://www.antenk.com
 E-mail:sales@antenk.com

TITLE: 0.5mm Board to board connector, male, double groove, mating height=3.0~6.5mm

DRAWING NO: BB0.5M-XXXX04
 PRODUCT NO: BB0.5M-XXXX04

REV	DESCRIPTION	DATE

