**SPECIFICATIONS:**

Voltage rating:300V AC/DC

Current rating: 2A AC/DC

Withstanding Voltage:1000V AC/minute

Insulation resistance:1000MΩ Min.

Temperature range:-25°C To +85°C

Contact resistance:20mΩ Max.

Standards

**HSF****RoHS**

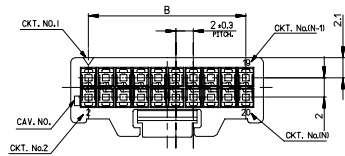
Wire to Board

**Assembly Layout**

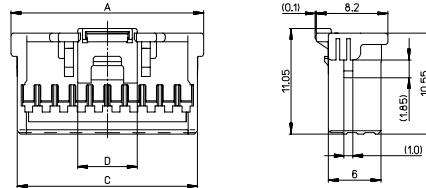
Connectors Expert Around You

## 2.00mm Pitch housing connector

Material: Nylon 66 +30%GF UL94V-0  
Mate With: AT2018T Terminal

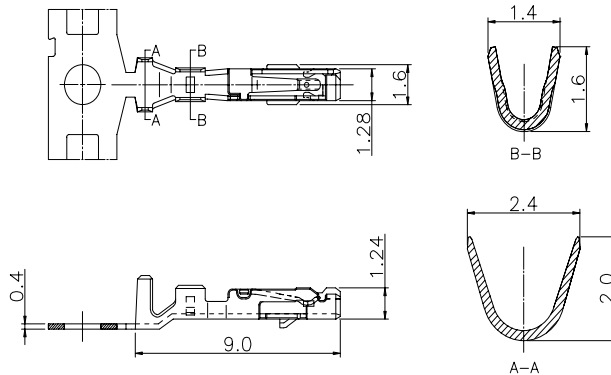


Poles	Dimensions (mm)			
	A	B	C	D
5	12	8	10.6	5.1
6	14	10	12.6	6.8
7	16	12	14.6	8.8
8	18	14	16.6	6.8
9	20	16	18.6	6.8
10	22	18	20.6	6.8
11	24	20	22.6	6.8
12	26	22	24.6	6.8
13	28	24	26.6	6.8
14	30	26	28.6	6.8
15	32	28	30.6	6.8
16	34	30	32.6	6.8
17	36	32	34.6	6.8
18	38	34	36.6	6.8
19	40	36	38.6	6.8
20	42	38	40.6	6.8



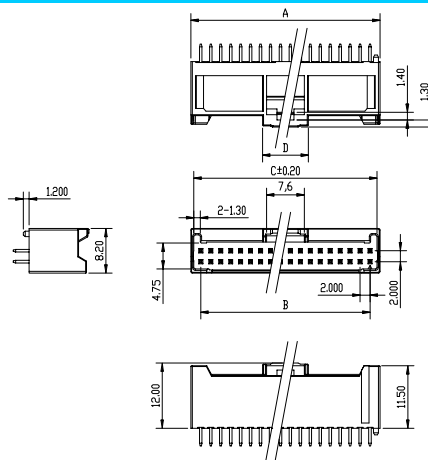
## 2.00mm Pitch terminal connector

Material: Copper Alloy, With Tin-plated  
Mate With: AH2018-2xP  
Applicable wire: AWG#22-26



## 2.00mm Pitch 90° wafer connector

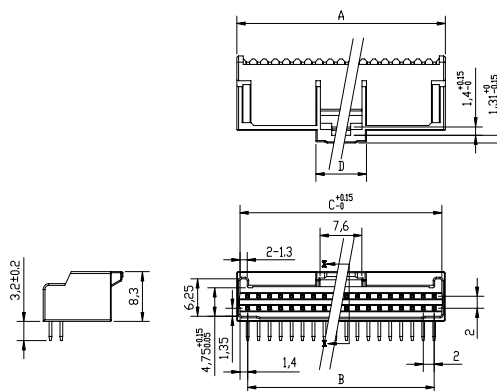
Material: Nylon 66+30%GF UL94V-0  
Brass With Tin-plated  
Mate With: AH2018-2xP



Poles	Dimensions (mm)			
	A	B	C	D
5	12	8	10.7	7.3
6	14	10	12.7	9.2
7	16	12	14.7	9.2
8	18	14	16.7	9.2
9	20	16	18.7	9.2
10	22	18	20.7	9.2
11	24	20	22.7	9.2
12	26	22	24.7	9.2
13	28	24	26.7	9.2
14	30	26	28.7	9.2
15	32	28	30.7	9.2
16	34	30	32.7	9.2
17	36	32	34.7	9.2
18	38	34	36.7	9.2
19	40	36	38.7	9.2
20	42	38	40.7	9.2

## 2.00mm Pitch 90° wafer connector

Material: Nylon 66+30%GF UL94V-0  
Brass With Tin-plated  
Mate With: AH2018-2xP



Poles	Dimensions (mm)			
	A	B	C	D
5	12	8	10.7	7.3
6	14	10	12.7	9.2
7	16	12	14.7	9.2
8	18	14	16.7	9.2
9	20	16	18.7	9.2
10	22	18	20.7	9.2
11	24	20	22.7	9.2
12	26	22	24.7	9.2
13	28	24	26.7	9.2
14	30	26	28.7	9.2
15	32	28	30.7	9.2
16	34	30	32.7	9.2
17	36	32	34.7	9.2
18	38	34	36.7	9.2
19	40	36	38.7	9.2
20	42	38	40.7	9.2

Wire to Board