

HSF



NOTE:

Type:Surface Mounted Device
 Base Material:Nylon Resin,Black Color
 Contacts:0.35Phosphor Bronze Flash Gold
 Flammability Rating:UL 94 V-0
 Dielectric Strength: 560 Voits/M11, at 25°C
 For 5 Sec

BT - M - G0 - R - 18650-3
 ① ② ③ ④ ⑤

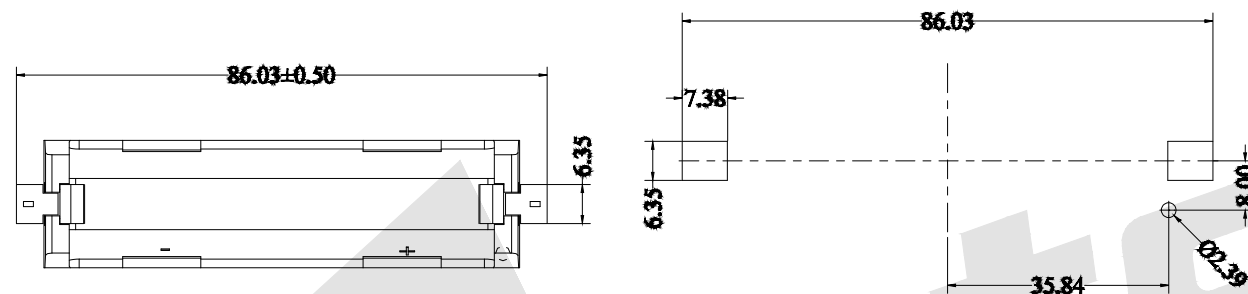
① BT: Coin Cell Holders
 ② Apperance For The Product

M:SMT TYPE S:180 TYPE R:90 TYPE

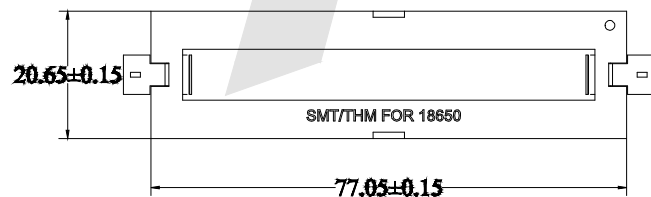
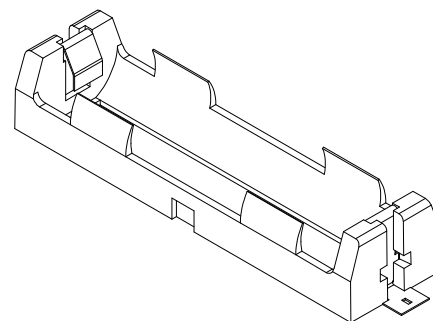
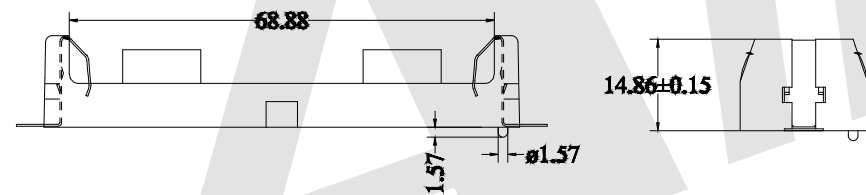
③ Contact Plating
 SI: NICKEL Plated G2: 5U" Gold
 SN: Tin G3: 10U" Gold
 G0: Gold Flash G4: 15U" Gold
 G1: 3U" Gold G5: 30U" Gold

④ Packing Method
 A: Tray Packing
 R: Tape & Reel Packing

⑤ Product Number
 18650-3



PCB LAYOUT



Unless Otherwise specified tolerance
 X. ±0.35 X.XX: ±0.20
 X.X: ±0.25 X.XXX: ±0.15

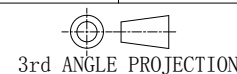
SCALE: As Shown	UNIT: mm
DRAW Wu Feng Rong	DATE 12/07/2020
CHECK BobYang	DATE 12/07/2020

Antenk ANTEK ELECTRONICS CO.,LTD
[Http://www.antenk.com](http://www.antenk.com)
 E-mail:sales@antenk.com

TITLE:
 Coin Cell Holders SMT For 18650-3

DRAWING NO: BT-M-G0-R-18650-3

PRODUCT NO: BT-M-G0-R-18650-3



REV	DESCRIPTION	DATE
1		
2		
3		
4		
5		