

SPECIFICATION:

Insulator: Thermal Plastic UL94V-0  
 Contacts: Copper alloy  
 Shell: Steel  
 CONTACT PLATING:  
 Underplate: 50u"~150u" Nickel  
 Contact area: gold flash  
 Solder tails area: 100u" min tin (Lead free)

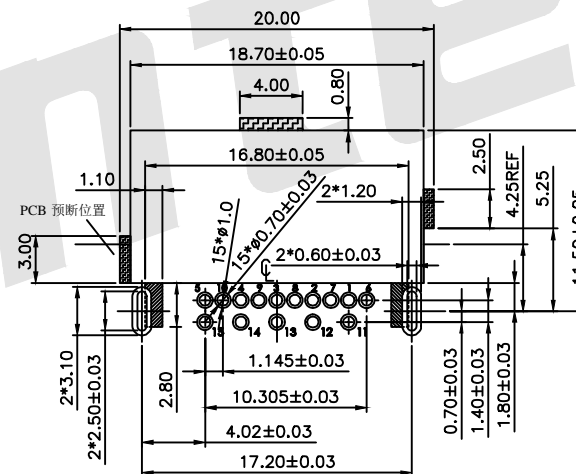
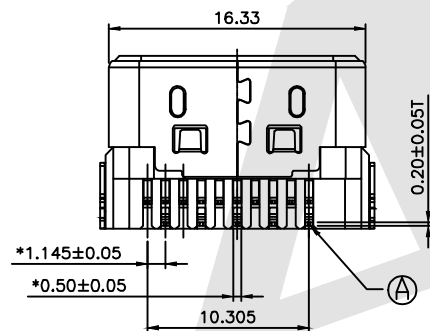
ELECTRICAL

Operation voltage: 250V max  
 Current rating: 2.5 A max  
 Contact resistance: 25 mohms initial  
 Insulation resistance: 3000 mohms min @500 VDC  
 Dielectric withstanding voltage: 500 VAC/Minute  
 Temperature range: -55°C~+85°C  
 Mating cycles: 500 insertions

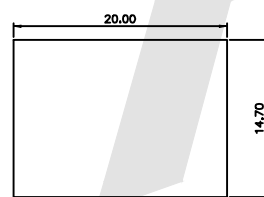
Ordering Code:

SDR14 - 15F - X - X  
 ① ② ③ ④

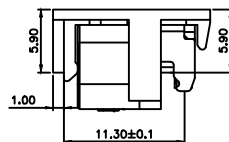
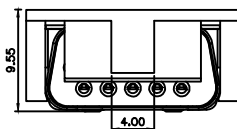
- ① SDR14
- ② Contact Type:  
15F: 15pin Female
- ③ Color Code:  
B: Black W: White  
L: Blue G: Grey
- ④ Contact Plating  
S: Selective Gold  
S1: Selective 3u" Gold  
S2: Selective 5u" Gold  
S3: Selective 10u" Gold  
S4: Selective 15u" Gold  
S5: Selective 30u" Gold  
G0: Gold flash  
G1: 3u" Gold over  
G2: 5u" Gold over  
G3: 10u" Gold over  
G4: 15u" Gold over  
G5: 30u" Gold over



Recommended PCB Layout (PCB Thickness: 1.2mm) without locking function



Assembly CAP Drawing



Unless Otherwise specified tolerance  
 X.±0.35 X.XX:±0.20  
 X.X:±0.25 X.XXX:±0.15

 ANTENK ELECTRONICS CO., LTD  
 Http://www.antenk.com  
 E-mail: sales@antenk.com

SCALE: As Shown UNIT: mm  
 DRAW Lv Xun Hua DATE 23/03/2019  
 CHECK Bob Yang DATE 23/03/2019

TITLE: VGA Short Body Female, Reverse  
 CL=0.5mm Slim Type



DRAWING NO: SDR14-15FXX

PRODUCT NO: SDR14-15FXX

REV	DESCRIPTION	DATE
1		
2		
3		
4		
5		