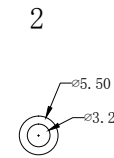
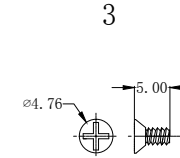


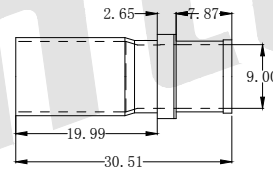
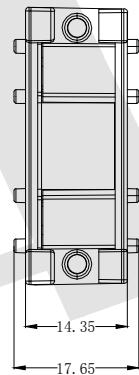
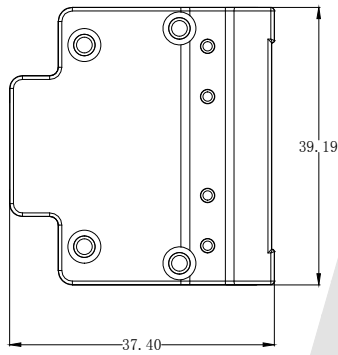
NAME: CABLE CONNECTOR SCREW M3X34MM
 QTY PER SET: 2 NOS
 MATERIAL: STAINLESS STEEL V2A (MOLYKOTT COATED)
 REMARKS: SCREW SHOULD BE SELF-CUTTING TYPE - REFER TO SPECIAL NOTE FOR DETAILS



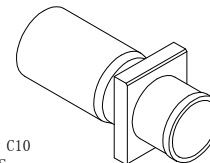
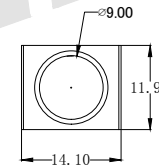
NAME: CONICAL SPRING WASHER M3
 QTY PER SET: 2 NOS
 MATERIAL: STAINLESS STEEL



NAME: COVER SCREW M2.5X5MM
 QTY PER SET: 4 NOS
 MATERIAL: STAINLESS STEEL V2A
 REMARKS: SCREW SHOULD BE SELF-CUTTING TYPE



NAME: CABLE CLAMP C10
 QTY PER SET: 1 NOS
 MATERIAL: BRASS (TIN PLATED) - ANNEALED (FOR CRIMPING)
 REMARKS: RAISED EDGES REQUIRED ON FLAT SURFACE. IT SHOULD GET PRESS FIT INTO 'HOOD BODY SIZE 15'



Ordering code:

DBSM - 15 - ZA
 ① ② ③

① Series No: D-SUB METAL HOODS 15P

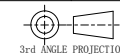
② Contact number:
15=15PIN

③ Material:
ZA: Zinc Alloy

HOOD BODY 15

Unless Otherwise specified tolerance
 X. ±0.35 X.XX: ±0.20
 X.X: ±0.25 X.XXX: ±0.15

SCALE: As Shown UNIT: mm
 DRAW: Wu Feng Rong DATE: 10/01/2020
 CHECK: BobYang DATE: 01/13/2019



Antenk ANTENK ELECTRONICS CO., LTD
 Http://www.antenk.com
 E-mail: sales@antenk.com

TITLE:
D-SUB METAL HOODS 15P HOOD BODY

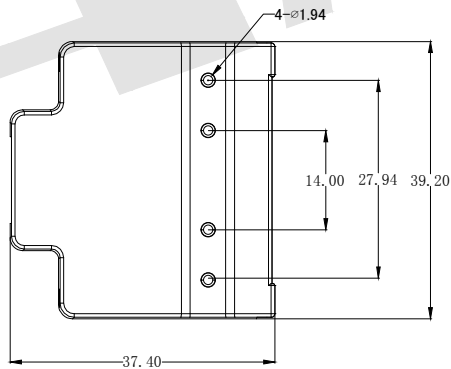
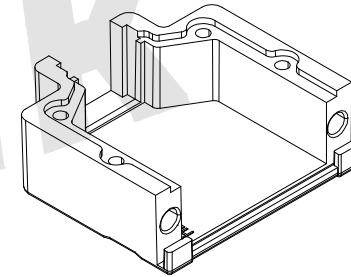
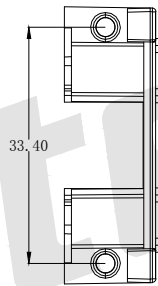
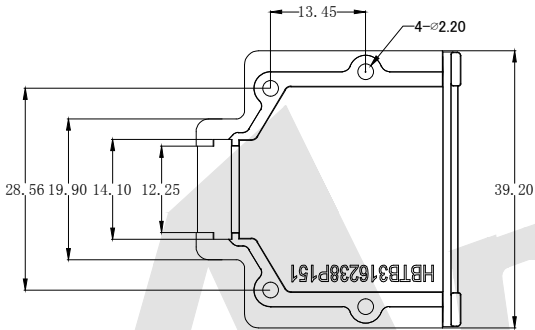
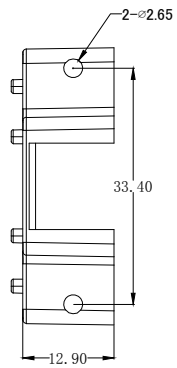
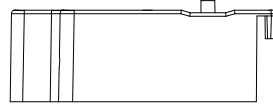
DRAWING NO: DBSM-15-ZA

PRODUCT NO: DBSM-15-ZA

REV	DESCRIPTION	DATE
1		
2		
3		
4		
5		



Front Cover



Ordering code:

DBSM - 15 - ZA
① ② ③

① Series No: D-SUB METAL HOODS 15P

② Contact number:
15=15PIN

③ Material:
ZA:Zinc Alloy

Unless Otherwise specified tolerance
X. ±0.35 X.XX: ±0.20
X.X: ±0.25 X.XXX: ±0.15

SCALE: As Shown UNIT: mm
DRAW: Wu Feng Rong DATE: 10/01/2020
CHECK: BobYang DATE: 01/13/2019

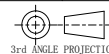


ANTENK ELECTRONICS CO., LTD
Http://www.antenk.com
E-mail:sales@antenk.com

TITLE:
D-SUB METAL HOODS 15P Front Cover

DRAWING NO: DBSM-15-ZA

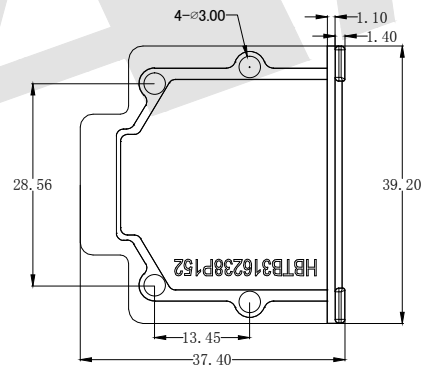
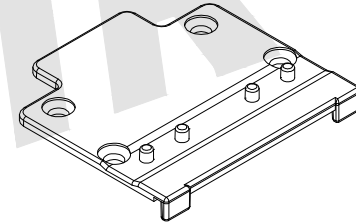
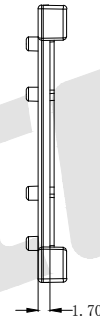
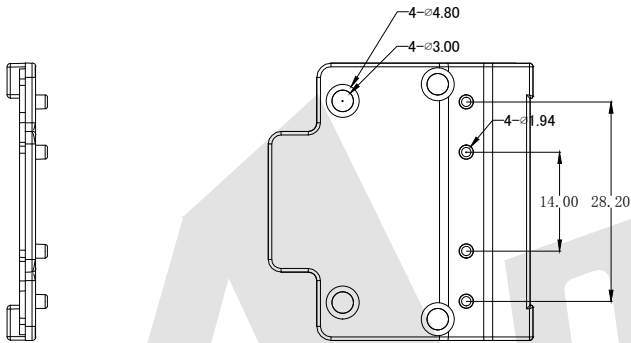
PRODUCT NO: DBSM-15-ZA



REV	DESCRIPTION	DATE
1		
2		
3		
4		
5		



Back Cover



Ordering code:

DBSM - 15 - ZA
① ② ③

① Series No: D-SUB METAL HOODS 15P

② Contact number:
15=15PIN

③ Material:
ZA:Zinc Alloy

④A:TYPE1

Unless Otherwise specified tolerance
X. ±0.35 X.XX: ±0.20
X.X: ±0.25 X.XXX: ±0.15

SCALE: As Shown UNIT: mm
DRAW: Wu Feng Rong DATE: 10/01/2020
CHECK: BobYang DATE: 01/13/2019



ANTENK ELECTRONICS CO., LTD
Http://www.antenk.com
E-mail:sales@antenk.com

TITLE:

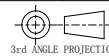
D-SUB METAL HOODS 15P Back Cover

DRAWING NO:

DBSM-15-ZA

PRODUCT NO:

DBSM-15-ZA



REV	DESCRIPTION	DATE
1		
2		
3		
4		
5		